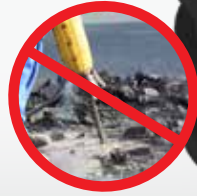


**Materials**

- Cover:** Black Epoxy Coated Cast Iron
- Mounting ring:** Duragard® coated ductile iron
- Bellows:** Polyethylene
- Base:** Cast iron E-coating
- Seals:** Buna-N



**OPW 1-2200 Series Replaceable Single-Wall Spill Container**

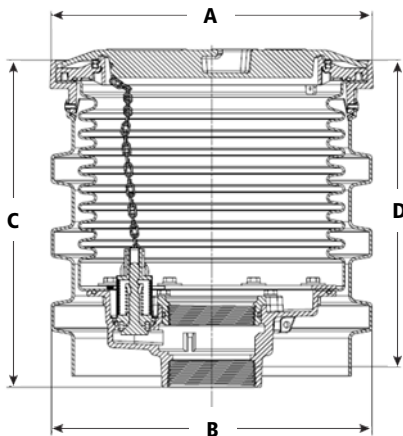
Introducing an affordable, all-accessible, all-replaceable and all-maintainable spill container from OPW. Never break concrete again with our new EPA Compliant UST Solution for today, tomorrow and the future.

**Features**

- ◆ **Designed for proposed 2014 EPA Regulations and beyond**
- ◆ **Prepares you for future compliance**
- ◆ Removable Bellows and Ring
- ◆ **Unique Flange Adaptor Feature-** Allows quick and easy removal of overfill valve without torquing base
- ◆ Built-In Face Seal Adaptor
- ◆ Innovative Snowplow Ring-less, Liquid-Tight Cover with Integrated Lift Handle design
- ◆ Easy access for overfill prevention valve testing and inspection
- ◆ Replaceable bucket without breaking concrete
- ◆ **ULC Approved**

**Ordering Specifications**

Model #	Description
1C-2200D	Single-Wall, Field Replaceable Spill Container with Drain Valve
1C-2200P	Single Wall, Field Replaceable Spill Container with Drain Plug
1-3100-TOOL	Installation Tool, Used for Edge and 1-2200 Spill Containers



**Dimensions**

	in.	cm	lbs.	kg
A	16 <sup>5</sup> / <sub>8</sub>	42	77	34.9
B	16 <sup>19</sup> / <sub>32</sub>	42	77	34.9
C	17 <sup>2</sup> / <sub>3</sub>	45	77	34.9
D	16 <sup>7</sup> / <sub>16</sub>	42	77	34.9

**Listings and Certifications**



## Replace Bellows in 3 Easy Steps



1 Remove Upper Bolts and Ring



2 Remove Lower Bolts and Ring and Remove Bellows

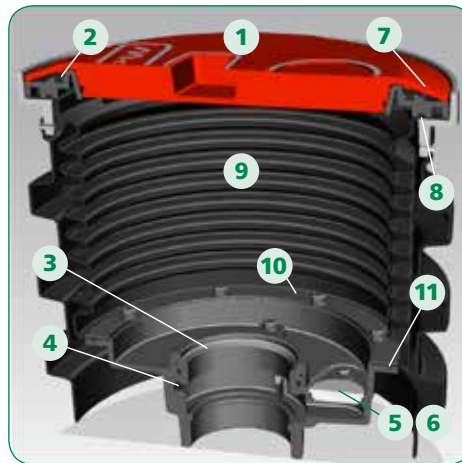
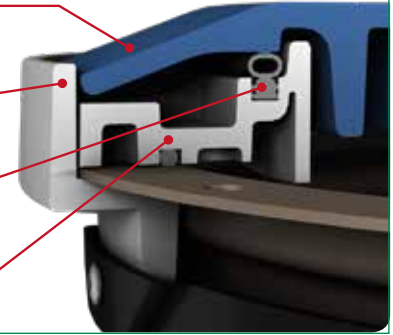


3 Replace Bellows, Reinstall Upper and Lower Rings

**No Need to Remove Base in order to Replace Bellows**

## Liquid-Tight Cover

- Special Cover and Ring Design  
Seals Out Water and Debris
- Eliminates Need for Snow Plow Ring  
Flush with Finish Grade
- Proven "Bubble Seal"
- Removable Compression Ring



### 1-2200 Series Replacement Parts

Part/Kit Number	Description
1	207235 Cover
2	H12229M Cover Seal
3	201739 Flange Adaptor
4	201692 Flange Adaptor O-ring
5	1DK-2100-EVR Drain Valve Sub Assembly
6	1DP-2100 Drain Plug Kit
7	208951 Upper Ring Replacement Kit (Includes; O-ring and Hardware)
8	207243 Upper Ring O-ring
9	208952 Bellows Replacement Kit (Includes; O-rings, Split Rings, and Hardware)
10	207212 Lower Split Ring, Each (2 Required per Spill Container)
11	207211 Lower Bellows O-ring
	208197 Installation Instructions