

UPP® COMPOSITE ACCESS COVERS

UPP® brand composite access covers feature a lightweight, watertight design for safe and easy access to underground containment. Their large diameter openings provide a wide access point for larger containment spaces. The full composite construction of both the lid and the ring provide complete corrosion resistance. For the ultimate in easy access, dip models feature an integrated inspection port at the center of the cover lid. Additionally, the locking mechanism seal the cover down to prevent it from spinning out and thwart unwanted access.

HIGHLIGHTS

- Two size ranges are available to accommodate varying applications and access opening size requirements including a 35" (900mm) diameter access opening and a larger 42" (1,060mm) diameter access opening.
- Complete composite construction is corrosion resistant even in the harshest forecourt conditions as well as resistant to chemical corrosion from petroleum and alcohols.
- Composite construction resists warping and delamination.
- Extremely hard wearing and durable, will not spin out, buckle or lose shape due to pressure forces from vehicles.
- Lockable design provides increased on-site security and safety.
- Anti-slip surface for increased safety.
- Integrated cover O-ring creates a watertight seal between the cover and frame.
- Dip models available with integrated inspection port.
- Locking mechanism key included.
- All component parts are resistant to chemical attack, diesel, petrol, salt and water or a combination over the lifespan of the cover (surface discoloration is acceptable in service).
- Access cover lifting handles make cover removal safe and easy (sold separately).
- Access cover skirts available (sold separately).



SPECIFICATIONS

35" (900 mm) Composite Access Cover Specifications

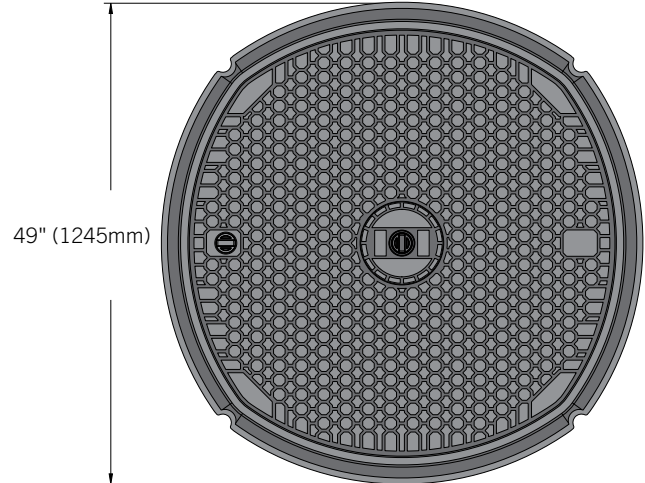
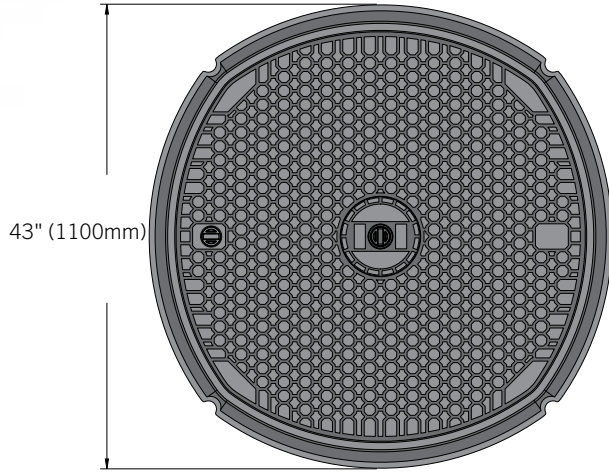
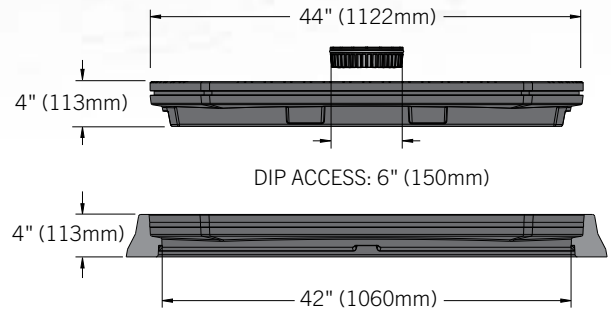
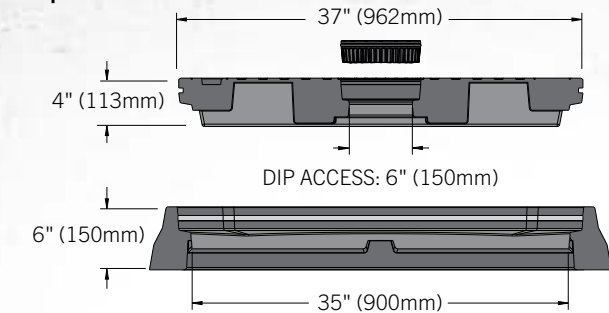
- Load rating: EN124 Class C250 & D400
- Clear opening: 35 $\frac{7}{16}$ " (900mm) diameter
- Cover external dimension: 37 $\frac{7}{8}$ " (962mm) diameter
- Frame external dimension: 43 $\frac{5}{16}$ " (1,100mm) diameter
- Cover weight PCR090: 75lbs (34kg),
- Cover weight PDR090: 101lbs (46kg)
- Frame weight: 33 lbs (15kg)
- Tread: Embedded aggregate – uni-directional, complies with EN124
- Material: Advanced fiberglass composite.

42" (1,060 mm) Composite Access Cover Specifications

- Load rating: EN124 Class C250 and D400
- Clear opening: 41 $\frac{3}{4}$ " (1,060mm) diameter
- Cover external dimension: 44 $\frac{3}{16}$ " (1,122mm) diameter
- Frame external dimension: 49 $\frac{1}{16}$ " (1,245mm) diameter
- Cover weight PCR106: 93lbs (42kg)
- Cover weight PDR106: 109lbs (49kg)
- Frame weight: 29 lbs (13kg)
- Tread: Embedded aggregate – uni-directional, complies with EN124
- Material: Advanced fiberglass composite.

SPECIFICATIONS CONTINUED

Components



ORDERING INFORMATION



Composite Access Covers

Model	Description
PCR090	35" (900mm) composite access cover, C250 rating
PDR090	35" (900mm) composite access cover, D400 rating
PCR090-DIP	35" (900mm) composite access cover with integrated dip inspection port, C250 rating
PCR106	42" (1,060mm) composite access cover, C250 rating
PDR106	42" (1,060mm) composite access cover, D400 rating
PCR106-DIP	42" (1,060mm) composite access cover with integrated dip inspection port, C250 rating
PDR106-DIP	42" (1,060mm) composite access cover with integrated dip inspection port, D400 rating
PCR-DIPCAP	Replacement dip cap for composite access covers
PCR-LIFT	Lifting handle tool for composite access covers
PCR-LOCK	Locking mechanism for composite access covers
PCR-PLUG	Locking mechanism replacement dust plug
SDFLX40FC	Sealant (to seal access cover frame to skirt)

35" (900mm) Composite Access Cover Accessories

Model	Description
PDR090-S	Replacement gasket for 35" (900mm) composite access covers (between lid and frame)
PXR090-OCH-SK	35" (900mm) fiberglass skirt, for use with OCH tank cambers

42" (1,060mm) Composite Access Cover Accessories

Model	Description
PCR106-S	Replacement gasket for 42" (1,060mm) composite access covers (between lid and frame)
PCR106-OCH1400-SK	42" (1,060mm) fiberglass skirt, for use with OCH tank cambers
PCR106-TSM4542-SK	42" (1,060mm) fiberglass skirt, for use with TSM tank cambers

COMPOSITE ACCESS COVERS

UPP® Composite Access Covers feature a watertight design that is lighter than steel and designed for safe and easy access to underground containment. Their large diameter openings provide a wide access point for larger containment spaces. The full composite construction of both the lid and the ring provide complete corrosion resistance. For the ultimate in easy access, dip models feature an integrated inspection port at the center of the cover lid. Additionally, the locking mechanism seal the cover down to prevent it from spinning out and thwart unwanted access.

HIGHLIGHTS

- Complete composite construction is corrosion resistant even in the harshest forecourt conditions as well as resistant to chemical corrosion from petroleum and alcohols.
- Composite construction resists warping and delamination.
- Extremely hard wearing and durable, will not spin out, buckle or lose shape due to pressure forces from vehicles.
- Lockable design provides increased on-site security and safety.
- Anti-slip surface for increased safety.
- Integrated cover O-ring creates a watertight seal between the cover and frame.
- Dip models available with integrated inspection port.
- Cover secured using 8mm hex key.
- All component parts are resistant to chemical attack, diesel, petrol, salt and water or a combination over the lifespan of the cover (surface discoloration is acceptable in service).
- Access cover lifting handles make cover removal safe and easy (sold separately).
- Access cover skirts available (sold separately).

ORDER INFORMATION

Model	Description
FC090	35" (900mm) Composite Access Cover, C250 rating
FC090-DIP	35" (900mm) Composite Access Cover with integrated dip inspection port, C250 rating
FD090	35" (900mm) Composite Access Cover, D400 rating
FD090-DIP	35" (900mm) Composite Access Cover with integrated dip inspection port, D400 rating
FX090-SK	35" (900mm) Fiberglass Skirt, for use with OCH tank cambers
FX-LIFT	Lifting Handle
FX-SLBRK	Access Cover Seal Breaker Foot Tool
FX-LT	Access Cover Lifting Trolley for assisted lifting



SPECIFICATIONS

35" (900mm) Composite Access Cover Specifications

- Load rating: EN124 Class C250 & D400
- Cover weight FC090: 110lbs (50kg),
- Cover weight FC090-DIP: 143lbs (65kg)
- Cover weight FD090: 141lbs (64 kg)
- Cover weight FD090-DIP: 148lbs (67 kg)
- Tread: Embedded aggregate – uni-directional, complies with EN124
- Material: Fiberglass composite.

35" (900mm) Composite Access Cover Dimensions

