



# Traditional Flood Large (TLFL)

## Outdoor Flood Light



### OVERVIEW

Lumen Package (lm)	9,000 - 16,000
Wattage Range (W)	62 - 121
Efficacy Range (LPW)	119 - 157
Weight lbs (kg)	10.0 (4.5)

### QUICK LINKS

## FEATURES & SPECIFICATIONS

### Construction

- Rugged die-cast aluminum housing.
- Available with heavy duty knuckle or trunnion. Knuckle mount can also be ordered with a tenon top adapter (see accessory ordering information on page 3).
- Luminaire is proudly manufactured and tested in the U.S
- Fixtures are finished with LSI's DuraGrip® polyester powder coat finishing process. The DuraGrip finish withstands extreme weather changes without cracking or peeling. Other finishes available. Consult factory.

### Optical System

- Three distribution choices - Medium Flood Optic (4x4), Flood Optic (6x6) or Extra Wide (7x7).
- Flood Optic lens is made of optical grade acrylic for increased efficiency and optical precision.
- LED modules are positioned within the housing to reduce glare and direct light to its desired location.
- Available in 5000K, 4000K, and 3000K color temperatures per ANSI C78.377.
- Minimum CRI of 70

### Electrical

- 0-10V dimming (10% - 100%) standard.
- Standard Universal Voltage (120-277 VAC) Input 50/60 Hz or optional High Voltage (347-480 VAC).
- L70 Calculated Life: >200k Hours
- Total harmonic distortion: <20%
- Operating temperature: -40°C to +40°C (-40°F to +104°F).
- Power factor: >0.90
- Input power stays constant over life.

### Installation

- Knuckle mount to metal 1/2" NPT. Vertical or Horizontal adjustment via aiming screws and locknut.
- Trunnion mount to any surface with 5/16" bolts (provided by others).
- Factory or field installable button photocell.

### Warranty

- LSI luminaires carry a 5-year limited warranty. Refer to <https://www.lsicorp.com/resources/terms-conditions-warranty/> for more information.

### Listings

- Listed to UL 1598 and UL 8750.
- Meets Buy American Act requirements.
- Title 24 Compliant; see local ordinance for qualification information.
- Suitable for wet locations.
- DesignLights Consortium® (DLC) Premium qualified product. Not all versions of this product may be DLC Premium qualified. Please check the DLC Qualified Products List at [www.designlights.org/QPL](http://www.designlights.org/QPL) to confirm which versions are qualified.

# Traditional Flood Large (TLFL) Outdoor Flood Light

Type: \_\_\_\_\_

 **Have questions?** Call us at (800) 436-7800

## ORDERING GUIDE

TYPICAL ORDER EXAMPLE: TLFL 16L F UNV DIM 40 BZA KN PCI120									
Prefix	Lumen Package	Distribution	Voltage	Driver	Color Temperature	Color Rendering	Finish	Mounting	Options
TLFL - Large LED Flood Light	9L - 9,000 Lumens 12L - 12,000 Lumens 16L - 16,000 Lumens	M - Medium Flood Optic (4x4) F - Flood Optic (6x6) W - Extra Wide (7x7)	UNV - Universal Voltage (120-277V) HV - High Voltage (347-480V)	DIM - 0-10V Dimming <sup>2</sup>	30 - 3,000K CCT 40 - 4,000K CCT 50 - 5,000K CCT	Blank - 70 CRI	BZA - Bronze BLK - Black <sup>1</sup> WHT - White <sup>1</sup> SV - Silver <sup>1</sup>	KN - Knuckle TR - Trunnion	PCI120 - 120V Photocontrol PCI208-277 - 208V - 277V Photocontrol



**Need more information?**  
[Click here for our glossary.](#)

**Have additional questions?**  
Call us at (800) 436-7800



## PERFORMANCE

Delivered Lumens <sup>2</sup>									
Lumen Package	Distribution	CRI	3000K		4000K		5000K		Wattage
			Delivered Lumens	Efficacy	Delivered Lumens	Efficacy	Delivered Lumens	Efficacy	
9L	M	70	8,641	139	9,033	146	8,858	143	62
	F		8,654	140	9,047	146	8,871	143	
	W		9,267	150	9,711	157	9,366	152	
12L	M	70	12,206	130	12,760	136	12,512	133	94
	F		12,224	130	12,779	136	12,530	133	
	W		12,991	139	13,613	145	13,129	140	
16L	M	70	14,988	124	15,668	129	15,363	127	121
	F		15,010	124	15,691	127	15,386	127	
	W		16,456	130	17,244	137	16,631	132	

Electrical Data - Current Draw AMPS <sup>3</sup>						
Lumen Package	120V	208V	240V	277V	347	480V
9L	0.52	0.3	0.26	0.22	0.18	0.13
12L	0.78	0.45	0.39	0.34	0.27	0.2
16L	1.01	0.58	0.51	0.44	0.35	0.25

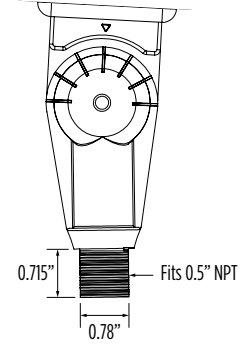
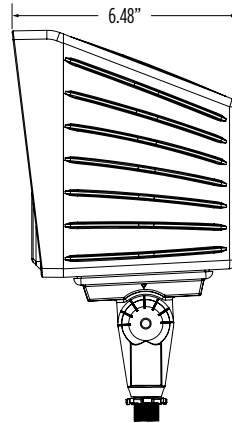
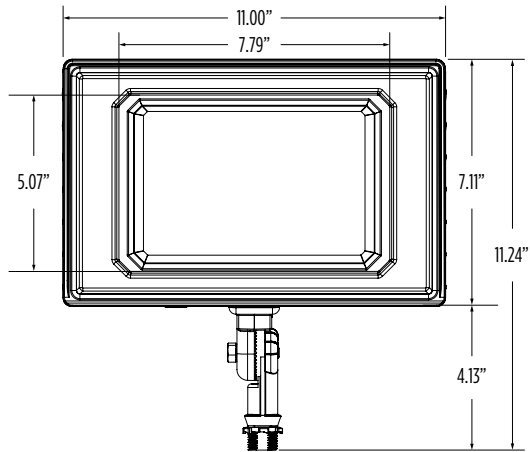
1 Additional lead time.  
2 LEDs are frequently updated therefore values are nominal.  
3 Electrical data at 25C (77F). Actual wattage may differ by +/-10%.

# Traditional Flood Light Large (TLFL) Outdoor Flood Light

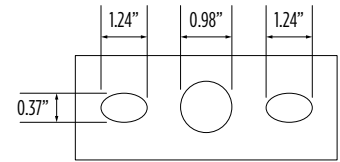
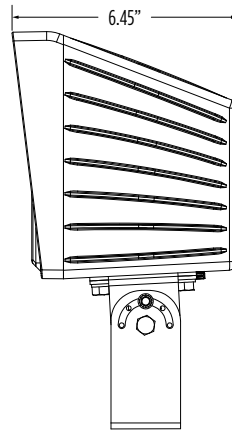
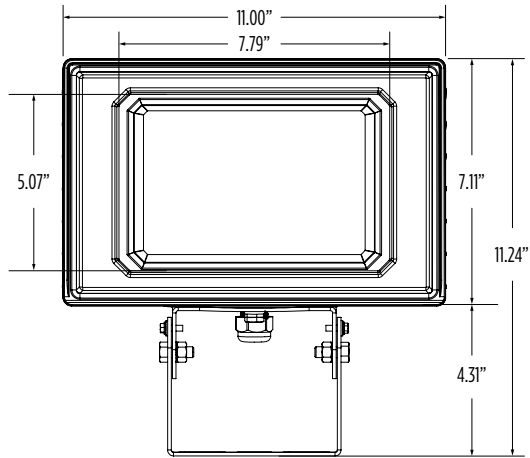
Type: \_\_\_\_\_

 Have questions? Call us at (800) 436-7800

## PRODUCT DIMENSIONS



**Knuckle (KN) Mounting**  
Standard



**Trunnion (TR) Mounting**



**Mounting Accessory**  
Tenon Top Fitter (item #660385)

**Note:** Weight 10 lbs., EPA 0.59.