

DIESEL EXHAUST FLUID SUBMERSIBLE TURBINE PUMP KITS

FE Petro™ brand diesel exhaust fluid (DEF) submersible turbine pump (STP) kits feature an all-stainless steel design that makes them completely compatible to transfer DEF/AdBlue®. Kits are available as complete variable length assemblies or as individual assembly kits for fixed length applications, providing everything needed for a DEF/AdBlue® pumping application.

TECHNICAL ADVANTAGES

Pump Motor Assembly

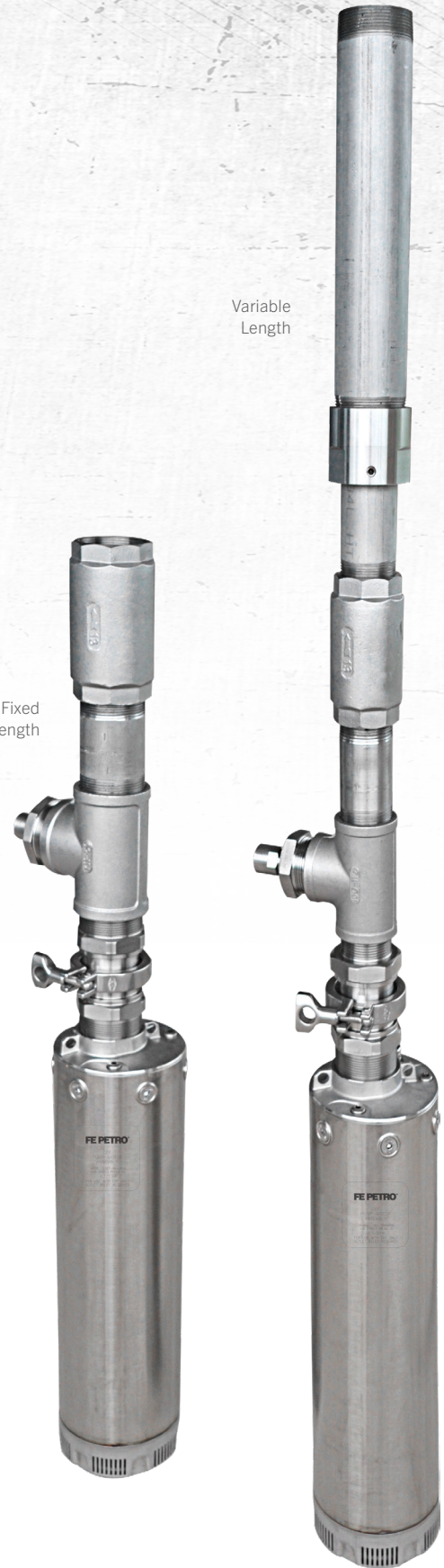
- Field-proven Franklin Electric encapsulated motor ensures longevity and impermeability to DEF seepage.
- Heavy-duty shaft provides superior alignment and resistance to stress.
- Double mechanical shaft seals protect the oil-filled bearing chamber from DEF seepage, assuring minimal wear and proper bearing lubrication.
- Stainless steel hydraulics provide superior performance and efficiency.
- EPDM jacketed power cable provides DEF compatibility and longevity.
- All models are suitable for vertical installation where the pump motor is suspended off the bottom of the tank by the discharge piping.

Submersible Turbine Pump Kit

- Submersible turbine pump kits come complete with variable length column pipe kit, check valve kit, bypass kit, EZ FIT pump motor assembly connection kit, and pump motor assembly.
- Submersible turbine pump kits also available for locally supplied fixed length column pipe applications.
- Bypass relief valve creates a continuous bypass of fluid to keep the motor cool.
- Check valve maintains line pressure while the pump is not in operation.
- EZ FIT PMA connection makes disconnection and reconnection of the PMA quick and easy.
- Each EZ FIT connection comes complete with coupler and gasket to ensure tight connection.

Fixed Length

Variable Length



SPECIFICATIONS

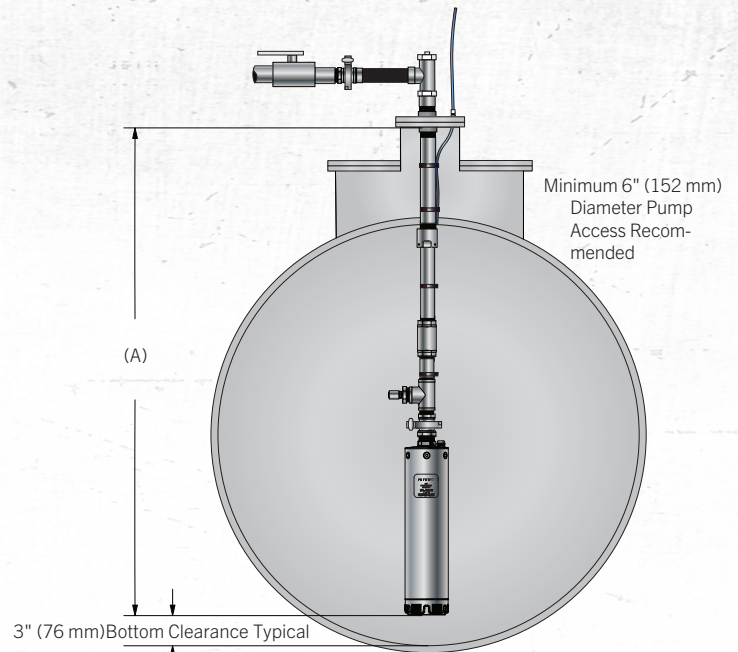
Pump Motor Assembly

- Materials: Stainless steel construction including impellers/diffusers, inlet/outlet, and outer shell
- Pump type: All models are 5.1" (130 mm) outside diameter centrifugal type pump
- Power cable: 23' (7m) black polyethylene jacketed power cable
- 60 Hz pump motor: Two-stage pump with 2" NPT female outlet
- Motor rating: Continuous operation with motor cooling provided by product flow and protected from dry running

Submersible Turbine Pump Kit

- All stainless steel hardware and Viton® or EPDM seals
- Bypass relief valve cracking pressure of 30-40 psi (2.1-2.8 bar) and 4 gpm (15 lpm) minimum flow at the discharge of all models
- Non-return check valve cracking pressure of 3 psi (0.2 bar) between product piping and bypass relief valve of all models
- Liquid compatibility: All models are intended for use with Diesel Exhaust Fluid (DEF). DEF is a non-flammable, non-combustible liquid that has a specific gravity of 1.09 at 68 °F (20 °C), and is made per ISO 22241-1 specifications with 32.5% urea and distilled or deionized water. As defined by ISO 22241-1, DEF is the same as AUS 32® (aqueous urea solution) and also commonly known as AdBlue®

Variable Length Range

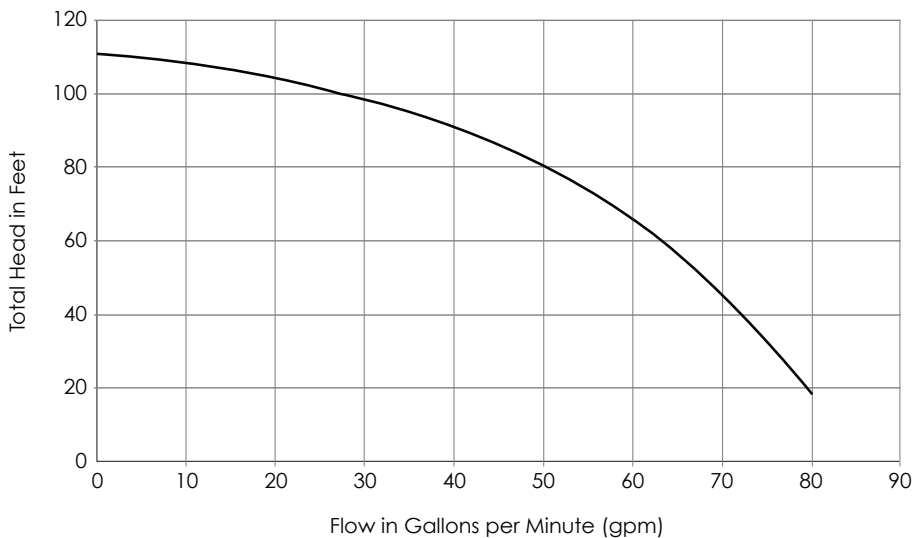


Variable Length Range (A)

Model Length Range	Model Length Designation
69" - 102" (1,750 mm - 2,590 mm)	VL1
102" - 166" (2,590 mm - 4,215 mm)	VL2

Pump Motor Performance

DEF-PMA150A (Single-Phase) and
DEF-PMA150D (Three-Phase)



Note: Performance is based on pumping water (1.00 specific gravity). Pressure is taken at the discharge outlet of the pump motor.

AdBlue® is a registered trademark of Verband der Automobilindustrie.

Viton® is a registered trademark of E. I. du Pont de Nemours and Company.

AUS 32® is a registered trademark of GBZI Ltd.

ORDERING INFORMATION

Variable Length Diesel Exhaust Fluid Submersible Turbine Pump Kits

Each variable length submersible turbine pump kit comes complete with variable length column pipe kit (VL1 or VL2), check valve kit, bypass kit, EZ FIT pump motor assembly connection kit, and pump motor assembly (single- or three-phase).

Model	Description
403469901	60 Hz, single-phase, VL1 69" - 102" (1,750 mm - 2,590 mm) variable length diesel exhaust fluid submersible turbine pump kits (includes components #1 - #5 below)
403470901	60 Hz, single-phase, VL2 102" - 166" (2,590 mm - 4,215 mm) variable length diesel exhaust fluid submersible turbine pump kits (includes components #1 - #5 below)
403478901	60 Hz, three-phase, VL1 69" - 102" (1,750 mm - 2,590 mm) variable length diesel exhaust fluid submersible turbine pump kits (includes components #1 - #4 and #6 below)
403479901	60 Hz, three-phase, VL2 102" - 166" (2,590 mm - 4,215 mm) variable length diesel exhaust fluid submersible turbine pump kits (includes components #1 - #4 and #6 below)

Variable Length Components

- 1 Variable length column pipe kit, 2" to 1½" NPT (not sold separately)
- 2 Check valve kit
- 3 Bypass kit
- 4 Pump motor assembly connection kit
- 5 6 Pump motor assembly (single- or three-phase)

Variable Length Diesel Exhaust Fluid Submersible Turbine Pump Replacement Kits

Item #	Model	Description
2	403463901	Check valve kit (includes 1½" NPT non-return check valve and 1½" NPT x 4" long nipple on inlet)
3	403461901	Bypass kit (includes ½" NPT bypass relief valve, ½" NPT x 1½" NPT bushing in 1½" NPT tee)
4	403454901	Pump motor assembly connection kit (includes 2" NPT male inlet x 1½" NPT male outlet EZ FIT connection)
5	403383903	60 Hz, single-phase pump motor assembly (DEF-PMA150A)
6	403383933	60 Hz, three-phase pump motor assembly (DEF-PMA150D)

Variable Length Accessories and Repair Parts

Model	Description
403713921	Single-phase electrical kit, includes m/n STP-CBS, 208-240 Volt pump control with 120 Volt coil (p/n 400818921) and 25 uF / 370 V capacitor (p/n 400170936, for use with DEF-PMA150A)
401220903	Three-phase 208-240 Volt pump control box with overload protection and 120 Volt coil (STP-CB3)
403408931	1½" NPT non-return check valve (part of component #2, valve only)
403409931	½" NPT bypass relief valve (part of component #3, valve only)
403468901	DEF-PMA hardware pack (part of component #5 or #6, includes cable grip, cable ties, and documentation)
400170936	Capacitor, 25 uF / 370 V (for use with DEF-PMA150A)



ORDERING INFORMATION

Fixed Length Components

- 1 Column pipe, 2" NPT (locally supplied)
- 2 Check valve kit
- 3 Bypass kit
- 4 Pump motor assembly connection kit
- 5 6 Pump motor assembly (single- or three-phase)

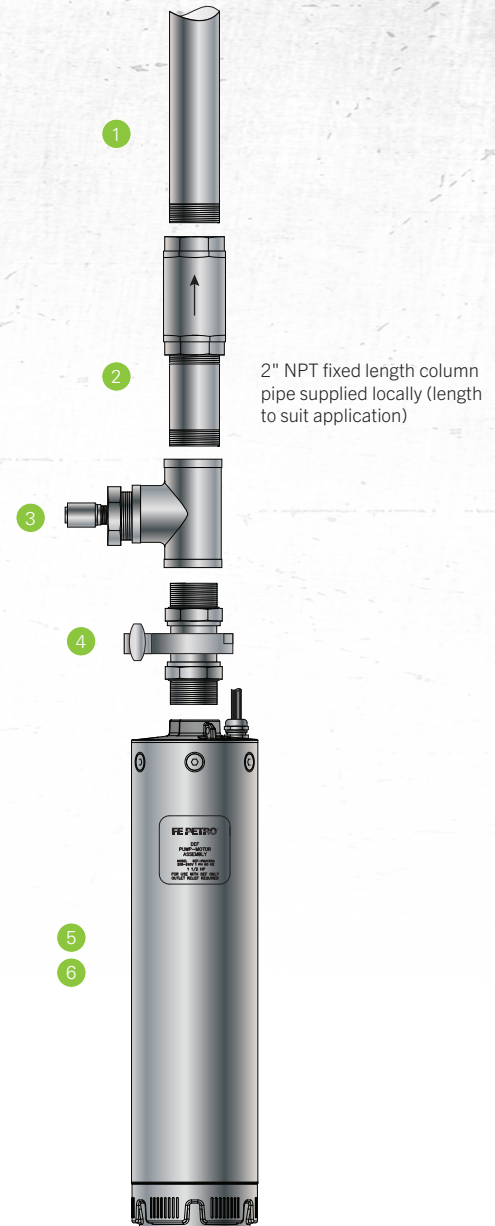
Fixed Length Diesel Exhaust Fluid Submersible Turbine Pump Kits

Individual assembly kits can be ordered for fixed length submersible turbine pump kit applications.

Item #	Model	Description
2	403464901	Check valve kit (includes 2" NPT non-return check valve and 2" NPT x 4" long nipple on inlet)
3	403462901	Bypass kit (includes ½" NPT bypass relief valve, ½" NPT x 2" NPT bushing in 2" NPT tee)
4	403456901	Pump motor assembly connection kit (includes 2" NPT male inlet x 2" NPT male outlet EZ FIT connection)
5	403383903	60 Hz, single-phase pump motor assembly (DEF-PMA150A)
6	403383933	60 Hz, three-phase pump motor assembly (DEF-PMA150D)

Fixed Length Accessories and Repair Parts

Model	Description
403713921	Single-phase electrical kit, includes m/n STP-CBS, 208-240 Volt pump control with 120 Volt coil (p/n 400818921) and 25 uF / 370 V capacitor (p/n 400170936)
401220903	Three-phase 208-240 Volt pump control box with overload protection and 120 Volt coil (STP-CB3)
403408932	2" NPT non-return check valve (part of component #2, valve only)
403409931	½" NPT bypass relief valve (part of component #3, valve only)
403468901	DEF-PMA hardware pak (part of component #5 or #6, includes cable grip, cable ties, and documentation)
400170936	Capacitor, 25 uF / 370 V (for use with DEF-PMA150A)



franklinfueling.com
 3760 Marsh Rd. • Madison, WI 53718, USA
 Tel: +1 608 838 8786 • Fax: +1 608 838 6433
 Tel: USA & Canada +1 800 225 9787 • Tel: UK +44 (0) 1473 243300
 Tel: Mex 001 800 738 7610 • Tel: DE +49 6571 105 380 • Tel: CN +86 10 8565 4566



© 2020 Franklin Fueling Systems. All Rights Reserved.

FFS-0387 06-20

AdBlue® is a registered trademark of Verband der Automobilindustrie.
 Viton® is a registered trademark of E. I. du Pont de Nemours and Company. AUS 32® is a registered trademark of GBZI Ltd.

Diesel Exhaust Fluid Submersible Turbine Pump Kits

FE Petro™ brand diesel exhaust fluid (DEF) submersible turbine pump (STP) kits feature an all-stainless steel design that makes them completely compatible to transfer DEF/AdBlue®. Kits are available as complete variable length assemblies or as individual assembly kits for fixed length applications, providing everything needed for a DEF/AdBlue® pumping application.

Highlights

Pump Motor Assembly

- Field-proven Franklin Electric encapsulated motor ensures longevity and impermeability to DEF seepage.
- Heavy-duty shaft provides superior alignment and resistance to stress.
- Double mechanical shaft seals protect the oil-filled bearing chamber from DEF seepage, ensuring minimal wear and proper bearing lubrication.
- Stainless steel hydraulics provide superior performance and efficiency.
- EPDM jacketed power cable provides DEF compatibility and longevity.
- All models are suitable for vertical installation where the pump motor is suspended off the bottom of the tank by the discharge piping.

Submersible Turbine Pump Kit

- Submersible turbine pump kits come complete with variable length column pipe kit, check valve kit, bypass kit, EZ FIT pump motor assembly connection kit, and pump motor assembly.
- Submersible turbine pump kits also available for locally supplied fixed length column pipe applications.
- Bypass relief valve creates a continuous bypass of fluid to keep the motor cool.
- Check valve maintains line pressure while the pump is not in operation.
- EZ FIT PMA connection makes disconnection and reconnection of the PMA quick and easy.
- Each EZ FIT connection comes complete with coupler and gasket to ensure tight connection.

Variable Length



Fixed Length



Specifications

Pump Motor Assembly

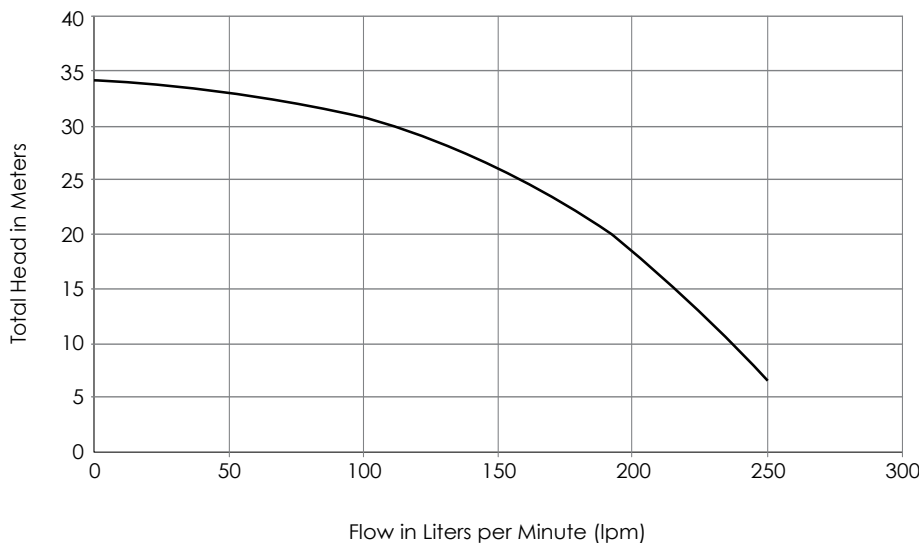
- Materials: Stainless steel construction including impellers/diffusers, inlet/outlet, and outer shell
- Pump type: All models are 5.1" (130 mm) outside diameter centrifugal type pump
- Power cable: 32.8' (10 m) EPDM jacketed plug-in power cable
- 50 Hz pump motor: Three-stage pump with 2" BSPT female outlet
- Motor rating: Continuous operation with motor cooling provided by product flow and protected from dry running

Submersible Turbine Pump Kit

- All stainless steel hardware and Viton® or EPDM seals
- Bypass relief valve cracking pressure of 30-40 psi (2.1-2.8 bar) and 4 gpm (15 lpm) minimum flow at the discharge of all models
- Non-return check valve cracking pressure of 3 psi (0.2 bar) between product piping and bypass relief valve of all models
- Liquid compatibility: All models are intended for use with Diesel Exhaust Fluid (DEF). DEF is a non-flammable, non-combustible liquid that has a specific gravity of 1.09 at 68°F (20°C), and is made per ISO 22241-1 specifications with 32.5% urea and distilled or deionized water. As defined by ISO 22241-1, DEF is the same as AUS 32® (aqueous urea solution) and also commonly known as AdBlue®

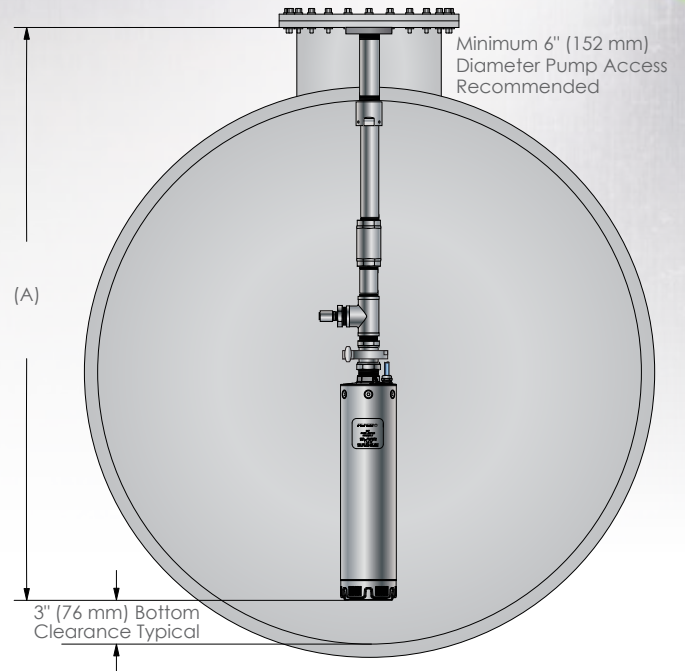
Pump Motor Performance

DEF-PMA150B (Single Phase) and DEF-PMA150C (Three Phase)



Note: Performance is based on pumping water (1.00 specific gravity). Pressure is taken at the discharge outlet of the pump motor.

Variable Length Range



Variable Length Range (A)

Model Length Range	Model Length Designation
71" - 104" (1,800 mm - 2,640 mm)	VL1
104" - 168" (2,640 mm - 4,265 mm)	VL2

Ordering Information

Variable Length Diesel Exhaust Fluid Submersible Turbine Pump Kits

Each variable length submersible turbine pump kit comes complete with variable length column pipe kit (VL1 or VL2), check valve kit, bypass kit, EZ FIT pump motor assembly connection kit, and pump motor assembly (single or three phase).

Model	Description
403472901	50 Hz, single phase, VL1 71" - 104" (1,800 mm - 2,640 mm) variable length diesel exhaust fluid submersible turbine pump kits (includes components #1 - #5 below)
403473901	50 Hz, single phase, VL2 104" - 168" (2,640 mm - 4,265 mm) variable length diesel exhaust fluid submersible turbine pump kits (includes components #1 - #5 below)
403475901	50 Hz, three phase, VL1 71" - 104" (1,800 mm - 2,640 mm) variable length diesel exhaust fluid submersible turbine pump kits (includes components #1 - #4 and #6 below)
403476901	50 Hz, three phase, VL2 104" - 168" (2,640 mm - 4,265 mm) variable length diesel exhaust fluid submersible turbine pump kits (includes components #1 - #4 and #6 below)

Variable Length Components

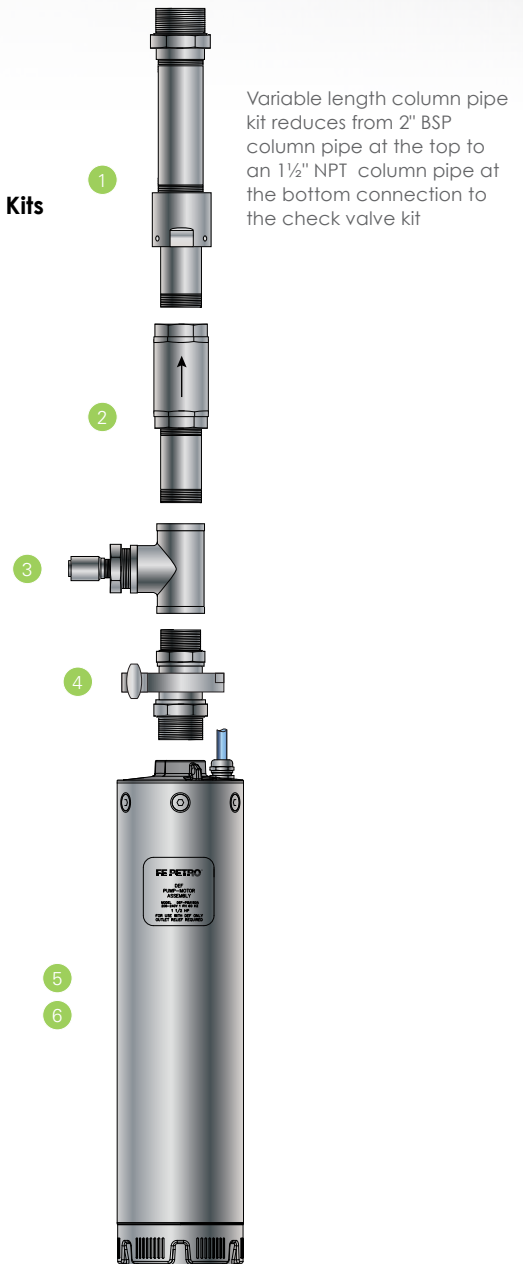
- 1 Variable length column pipe kit (not sold separately)
- 2 Check valve kit
- 3 Bypass kit
- 4 Pump motor assembly connection kit
- 5 6 Pump motor assembly (single or three phase)

Variable Length Diesel Exhaust Fluid Submersible Turbine Pump Replacement Kits

Item #	Model	Description
2	403463901	Check valve kit (includes 1½" NPT non-return check valve, 1½" NPT x 4" long nipple on inlet, and 2" NPT female x 2" BSP male adapter on outlet)
3	403461901	Bypass kit (includes ½" NPT bypass relief valve, ½" NPT x 1½" NPT bushing in 1½" NPT tee)
4	403455901	Pump motor assembly connection kit (includes 2" BSP male inlet x 1½" NPT male outlet EZ FIT connection)
5	403383953	50 Hz, single phase pump motor assembly (DEF-PMA150B)
6	403383963	50 Hz, three phase pump motor assembly (DEF-PMA150C)

Variable Length Accessories & Repair Parts

Model	Description
400170937	Capacitor, 30 uF / 440 V (for use with DEF-PMA150B)
400818922	Single Phase 200-250 volt pump control with 240 volt coil
401220966	Three phase 380-415 volt pump control box with overload protection and 240 volt coil
403459901	2" NPT female x 2" BSP male thread adapter (part of component #1, adapter only)
403408931	1½" NPT non-return check valve (part of component #2, valve only)
403409931	½" NPT bypass relief valve (part of component #3, valve only)
403468901	DEF-PMA hardware pack (part of components #5 or #6, includes cable grip, cable ties, and documentation)



Ordering Information continued

Fixed Length Components

- 1 Column pipe (locally supplied)
- 2 Check valve kit
- 3 Bypass kit
- 4 Pump motor assembly connection kit
- 5 6 Pump motor assembly (single or three phase)

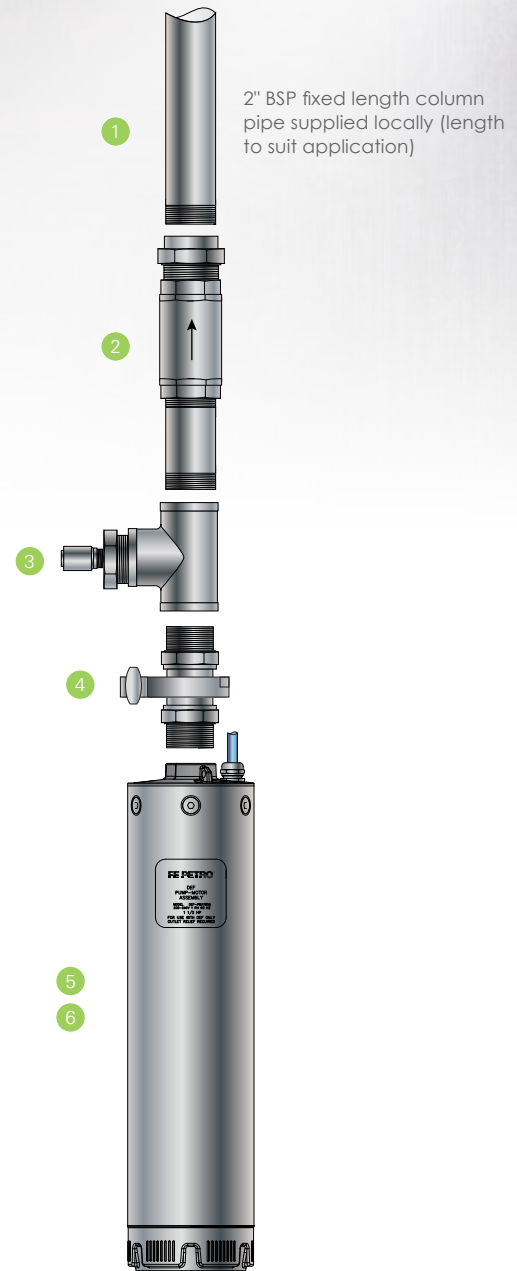
Fixed Length Diesel Exhaust Fluid Submersible Turbine Pump Kits

Individual assembly kits can be ordered for fixed length submersible turbine pump kit applications.

Item #	Model	Description
2	403465901	Check valve kit (includes 2" NPT non-return check valve, 2" NPT x 4" long nipple on inlet, and 2" NPT male x 2" BSP female adapter on outlet)
3	403462901	Bypass kit (includes 1/2" NPT bypass relief valve, 1/2" NPT x 2" NPT bushing in 2" NPT tee)
4	403457901	Pump motor assembly connection kit (includes 2" BSP male inlet x 2" NPT male outlet EZ FIT connection)
5	403383953	50 Hz, single phase pump motor assembly (DEF-PMA150B)
6	403383963	50 Hz, three phase pump motor assembly (DEF-PMA150C)

Fixed Length Accessories & Repair Parts

Model	Description
400170937	Capacitor, 30 uF / 440 V (for use with DEF-PMA150B)
400818922	Single Phase 200-250 volt pump control with 240 volt coil
401220966	Three Phase 380-415 volt pump control box with overload protection and 240 volt coil
403460901	2" NPT Male x 2" BSP Female Thread Adapter (part of component #2, adapter only)
403458901	2" NPT x 4" long Pipe Nipple (part of component #2, nipple only)
403408932	2" NPT non-return check valve (part of component #2, valve only)
403409931	1/2" NPT bypass relief valve (part of component #3, valve only)
403468901	DEF-PMA Hardware Pak (part of component #5 or #6, includes cable grip, cable ties, and documentation)



A Franklin Fueling Systems Brand

franklinfueling.com

3760 Marsh Rd. • Madison, WI 53718, USA
Tel: +1 608 838 8786 • Fax: +1 608 838 6433
Tel: USA & Canada +1 800 225 9787 • Tel: UK +44 (0)1473 243300
Tel: Mex 001 800 738 7610 • Tel: FR +33 (0)1 69 21 41 41 • Tel: CH +86 10 8565 4566

