

# PROBE ACCESS MANHOLE

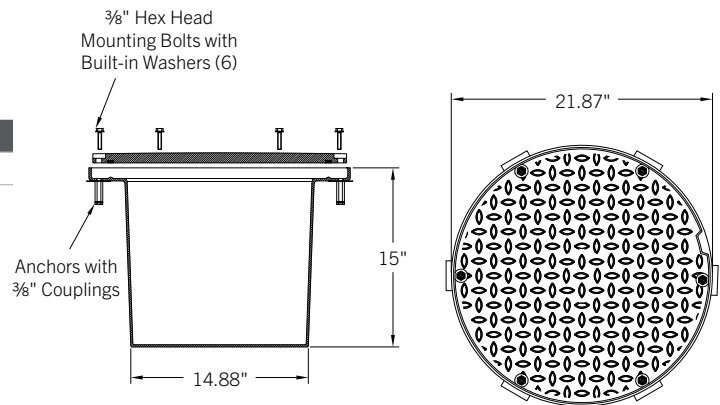
FLEX-ING™ probe access manholes offer an ideal solution for housing fuel management systems electronics and providing tank access with isolation from backfill.

## HIGHLIGHTS

- Flat container sides for easy installation of penetration fittings.
- Bolt-down container lid.
- Integrated tabs for solid installation into concrete.

## ORDERING INFORMATION

Model	Description
20URTATG	Probe access manhole
81830701	Replacement cover with plain lid top



SERVICE STATION  
HARDWARE

# PROBE CAP AND ADAPTER KIT

CARB EVR approved 4" probe riser cap is used to protect tank probes and secure probe or monitoring sensor connections. The easy-to-operate T-handle provides a convenient method of removal and replacement.

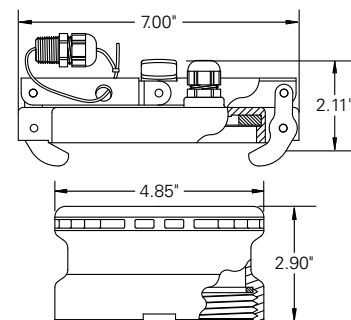
The 90037 adapter kit includes a 4" nylon cap with 1/2" and 3/8" cable bushing and a 4" composite adapter.

## HIGHLIGHTS

- Durable nylon construction.
- CARB: EVR Phase 1 Certification VR-101 and VR-103.

## ORDERING INFORMATION

Model	Bushing		Weight	
	In	mm	Lbs	Kg
90037-E*	0.5 and 0.38	12.70 and 9.5	1.92	0.87
Model	Description			
95021501*	Replacement Nitrile gasket for cap			



\*CARB EVR Phase 1 certification VR-101 for gas and E85.