



Gen Cube® tanks from Containment Solutions provide a safe and cost effective solution for the storage of diesel and fuel oils for use in emergency generators and boilers.

If space constraints are a consideration, the Gen Cube rectangular design is a great way to maximize storage space in crowded mechanical rooms and basements. The Gen Cube's low profile rectangular shape improves space utilization by 20% when compared to the footprint of cylindrical tanks. In addition, the easy access tank top has seven tank fittings generously spaced across the tank to accommodate all of your accessory needs.

Gen Cube UL 142 Double-Wall tanks are designed for easy and convenient installation indoors or outdoors in capacities ranging from 60 to 20,000 gallons.

A complete selection of Containment Solutions storage systems are available nationwide. Our experienced sales staff is ready to assist you in selecting the tank best suited to fit your needs.

STANDARD FEATURES:

- UL 142 listed
- Meets NFPA 30 Standard
- 7 gallon spill box
- NPT fittings with PVC plugs
 - Primary Tank: 7 (plus emergency vent)
 - Secondary Containment: vent, monitor port, emergency vent
- Skid mounted for easy installation
- Shop primed exterior
- Moveable by forklift
- Lifting lugs

OPTIONS:

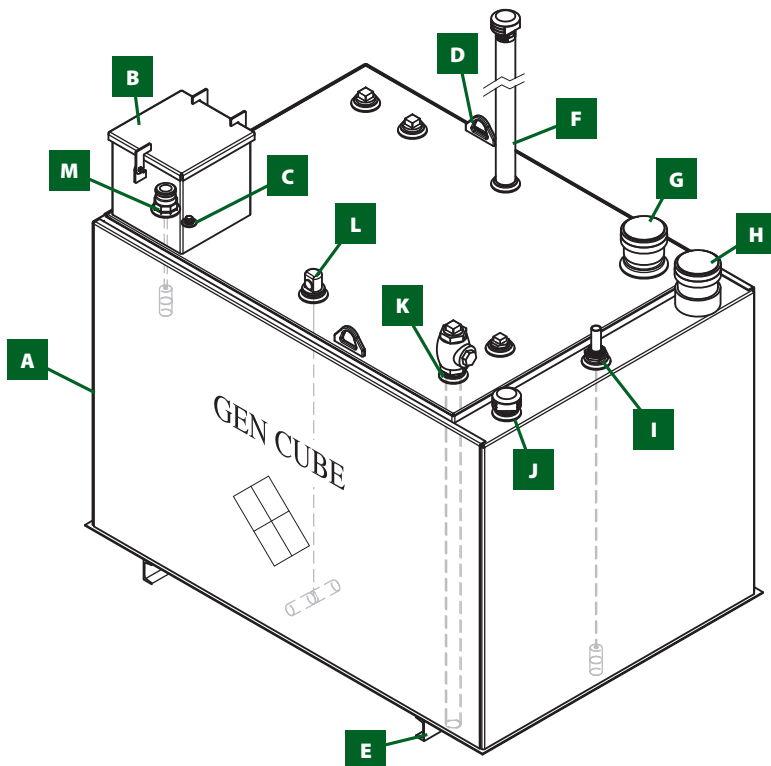
- Corrosion resistant exterior coating
- Custom sizes
- Compartments available
- Stainless steel construction
- Interior coatings
- Equipment packages



Gen Cube tanks are available in standard sizes from 60 to 20,000 gallons.

STANDARD TANK SIZES

CAPACITY (GALLONS)	DIMENSIONS (L x W x H)	WEIGHT (LBS)	CAPACITY (GALLONS)	DIMENSIONS (L x W x H)	WEIGHT (LBS)
60	1'11" x 2'10" x 3'1"	395	480	5'8" x 3'10" x 4'1"	1,350
90	2'6" x 2'10" x 3'1"	485	500	4'10" x 3'10" x 5'1"	1,315
120	3'2" x 2'10" x 3'1"	565	550	5'2" x 3'10" x 5'1"	1,380
150	3'9" x 2'10" x 3'1"	650	600	5'7" x 3'10" x 5'1"	1,450
150	2'10" x 2'10" x 4'1"	645	650	6'3" x 3'10" x 5'1"	1,525
180	3'4" x 2'10" x 4'1"	725	750	6'9" x 4'0" x 5'1"	1,760
200	3'7" x 2'10" x 4'1"	735	1,000	9'4" x 4'0" x 5'1"	2,400
210	3'9" x 2'10" x 4'1"	785	1,500	13'4" x 4'0" x 5'1"	3,250
225	3'11" x 2'10" x 4'1"	815	2,000	13'9" x 5'0" x 5'1"	3,800
240	4'2" x 2'10" x 4'1"	850	2,500	17'0" x 5'0" x 5'1"	4,500
250	4'4" x 2'10" x 4'1"	875	3,000	20'5" x 5'0" x 5'1"	6,650
275	4'8" x 2'10" x 4'1"	925	4,000	22'3" x 5'0" x 6'1"	8,150
280	4'10" x 2'10" x 4'1"	945	5,000	17'1" x 8'0" x 6'1"	10,150
300	3'10" x 3'10" x 4'1"	960	6,000	20'3" x 8'0" x 6'1"	11,400
325	4'1" x 3'10" x 4'1"	1,000	8,000	19'11" x 8'0" x 8'1"	14,000
350	4'4" x 3'10" x 4'1"	1,050	10,000	24'7" x 8'0" x 8'1"	16,125
375	4'7" x 3'10" x 4'1"	1,090	12,000	29'3" x 8'0" x 8'1"	18,550
400	4'10" x 3'10" x 4'1"	1,130	15,000	36'3" x 8'0" x 8'1"	22,100
450	5'5" x 3'10" x 4'1"	1,230	20,000	48'2" x 8'0" x 8'1"	28,900



Standard Equipment

- A. UL 142 Listed Double-Wall Tank with PVC plugs in all openings
- B. 7 Gallon Spillbox
- C. ½" Drain with Plug
- D. Lifting Lugs
(2) 60 - 650 Gallon
(4) 1,000 - 20,000 Gallon
- E. Support Feet

Optional Accessories

- F. Riser Pipe with Upflow Vent
- G. Primary Tank Emergency Vent
4", 6", 8", or 10"
- H. Secondary Containment
Emergency Vent 4", 6", 8" or 10"
- I. Leak Gauge
- J. 2" Secondary Containment
Working Vent
- K. Anti-Siphon Valve
with Internal Suction Line
- L. Mechanical Gauge
- M. 2" or 3" Overfill Prevention Valve

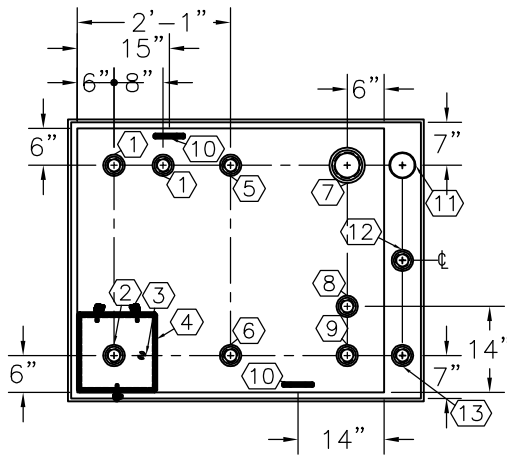


**CONTAINMENT
SOLUTIONS**

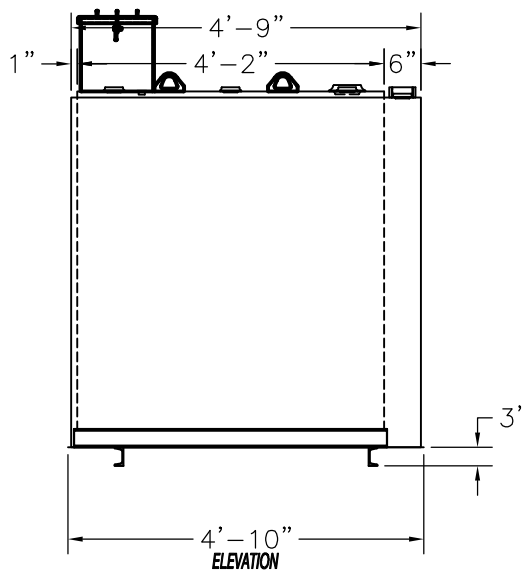


NOTE:

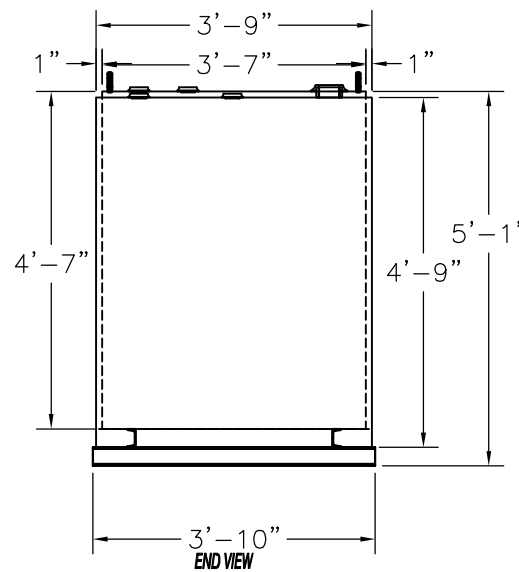
OVERALL SHIPPING DIMENSION: 4'-10" L X 3'-10" W X 6'-2" H



TOP VIEW



ELEVATION



END VIEW

ITEM	SIZE	SUGGESTED FUNCTION
1	2"	SPARE
2	2"	FILL
3	1/2"	DRAIN FOR SPILLBOX
4	7 GAL.	SPILLBOX, DWG."SBB002"
5	2"	PRIMARY TANK WORKING VENT
6	2"	MECHANICAL GAUGE/ SPARE
7	4"	PRIMARY TANK EMERGENCY VENT
8	2"	RETURN
9	2"	SUPPLY
10	SMALL	LIFTING LUG
11	4"	SECONDARY CONTAINMENT EMERGENCY VENT
12	2"	SECONDARY MONITOR PORT/ SPARE
13	2"	SECONDARY WORKING VENT

TANK SPECIFICATIONS

VENTING CAPACITY: PRIMARY TANK - 94,800 CUBIC FEET PER HOUR

SECONDARY TANK - 104,600 CUBIC FEET PER HOUR

MATERIAL: PRIMARY TANK - 10 GA.

SECONDARY TANK - 10 GA.

PRODUCT CODE	GALLONS	DESCRIPTION	OVERALL SIZE	SHIP WT.
GCAA1500D8502	500	UL-142 DOUBLE WALL LUBE CUBE TANK	4'-10" L X 3'-10" W X 5'-1" H	1,350 LBS.

THIS DRAWING AND DESIGN SHOWN HEREIN IS THE PROPERTY OF CONTAINMENT SOLUTIONS. USE OR COPIES THEREOF CANNOT BE MADE WITHOUT WRITTEN CONSENT.

CUSTOMER NAME: _____

APPROVED BY: _____ DATE: _____

CONTAINMENT SOLUTIONS®

DRAWN BY: D. ROVANG	DATE DRAWN: 01-23-17
DWG NUMBER: 5106977	SCALE: 1:24
REV: _____	REV BY: _____
DATE: _____	SHEET: 1 OF 1