



Gen Cube® tanks from Containment Solutions provide a safe and cost effective solution for the storage of diesel and fuel oils for use in emergency generators and boilers.

If space constraints are a consideration, the Gen Cube rectangular design is a great way to maximize storage space in crowded mechanical rooms and basements. The Gen Cube's low profile rectangular shape improves space utilization by 20% when compared to the footprint of cylindrical tanks. In addition, the easy access tank top has seven tank fittings generously spaced across the tank to accommodate all of your accessory needs.

Gen Cube UL 142 Double-Wall tanks are designed for easy and convenient installation indoors or outdoors in capacities ranging from 60 to 20,000 gallons.

A complete selection of Containment Solutions storage systems are available nationwide. Our experienced sales staff is ready to assist you in selecting the tank best suited to fit your needs.

STANDARD FEATURES:

- UL 142 listed
- Meets NFPA 30 Standard
- 7 gallon spill box
- NPT fittings with PVC plugs
 - Primary Tank: 7 (plus emergency vent)
 - Secondary Containment: vent, monitor port, emergency vent
- Skid mounted for easy installation
- Shop primed exterior
- Moveable by forklift
- Lifting lugs

OPTIONS:

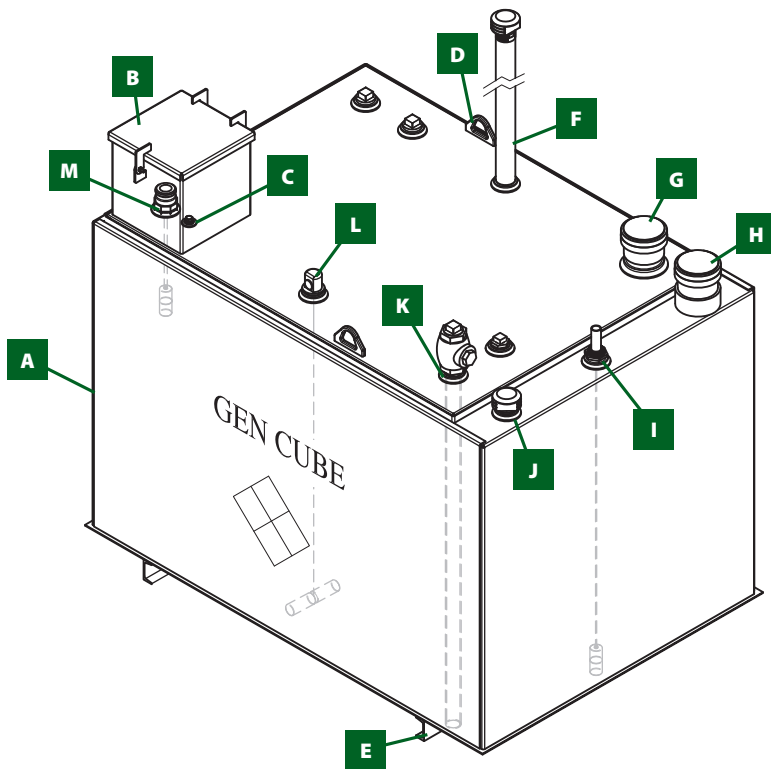
- Corrosion resistant exterior coating
- Custom sizes
- Compartments available
- Stainless steel construction
- Interior coatings
- Equipment packages



Gen Cube tanks are available in standard sizes from 60 to 20,000 gallons.

STANDARD TANK SIZES

| CAPACITY (GALLONS) | DIMENSIONS (L x W x H) | WEIGHT (LBS) | CAPACITY (GALLONS) | DIMENSIONS (L x W x H) | WEIGHT (LBS) |
|--------------------|------------------------|--------------|--------------------|------------------------|--------------|
| 60 | 1'11" x 2'10" x 3'1" | 395 | 480 | 5'8" x 3'10" x 4'1" | 1,350 |
| 90 | 2'6" x 2'10" x 3'1" | 485 | 500 | 4'10" x 3'10" x 5'1" | 1,315 |
| 120 | 3'2" x 2'10" x 3'1" | 565 | 550 | 5'2" x 3'10" x 5'1" | 1,380 |
| 150 | 3'9" x 2'10" x 3'1" | 650 | 600 | 5'7" x 3'10" x 5'1" | 1,450 |
| 150 | 2'10" x 2'10" x 4'1" | 645 | 650 | 6'3" x 3'10" x 5'1" | 1,525 |
| 180 | 3'4" x 2'10" x 4'1" | 725 | 750 | 6'9" x 4'0" x 5'1" | 1,760 |
| 200 | 3'7" x 2'10" x 4'1" | 735 | 1,000 | 9'4" x 4'0" x 5'1" | 2,400 |
| 210 | 3'9" x 2'10" x 4'1" | 785 | 1,500 | 13'4" x 4'0" x 5'1" | 3,250 |
| 225 | 3'11" x 2'10" x 4'1" | 815 | 2,000 | 13'9" x 5'0" x 5'1" | 3,800 |
| 240 | 4'2" x 2'10" x 4'1" | 850 | 2,500 | 17'0" x 5'0" x 5'1" | 4,500 |
| 250 | 4'4" x 2'10" x 4'1" | 875 | 3,000 | 20'5" x 5'0" x 5'1" | 6,650 |
| 275 | 4'8" x 2'10" x 4'1" | 925 | 4,000 | 22'3" x 5'0" x 6'1" | 8,150 |
| 280 | 4'10" x 2'10" x 4'1" | 945 | 5,000 | 17'1" x 8'0" x 6'1" | 10,150 |
| 300 | 3'10" x 3'10" x 4'1" | 960 | 6,000 | 20'3" x 8'0" x 6'1" | 11,400 |
| 325 | 4'1" x 3'10" x 4'1" | 1,000 | 8,000 | 19'11" x 8'0" x 8'1" | 14,000 |
| 350 | 4'4" x 3'10" x 4'1" | 1,050 | 10,000 | 24'7" x 8'0" x 8'1" | 16,125 |
| 375 | 4'7" x 3'10" x 4'1" | 1,090 | 12,000 | 29'3" x 8'0" x 8'1" | 18,550 |
| 400 | 4'10" x 3'10" x 4'1" | 1,130 | 15,000 | 36'3" x 8'0" x 8'1" | 22,100 |
| 450 | 5'5" x 3'10" x 4'1" | 1,230 | 20,000 | 48'2" x 8'0" x 8'1" | 28,900 |



Standard Equipment

- A. UL 142 Listed Double-Wall Tank with PVC plugs in all openings
- B. 7 Gallon Spillbox
- C. ½" Drain with Plug
- D. Lifting Lugs
(2) 60 - 650 Gallon
(4) 1,000 - 20,000 Gallon
- E. Support Feet

Optional Accessories

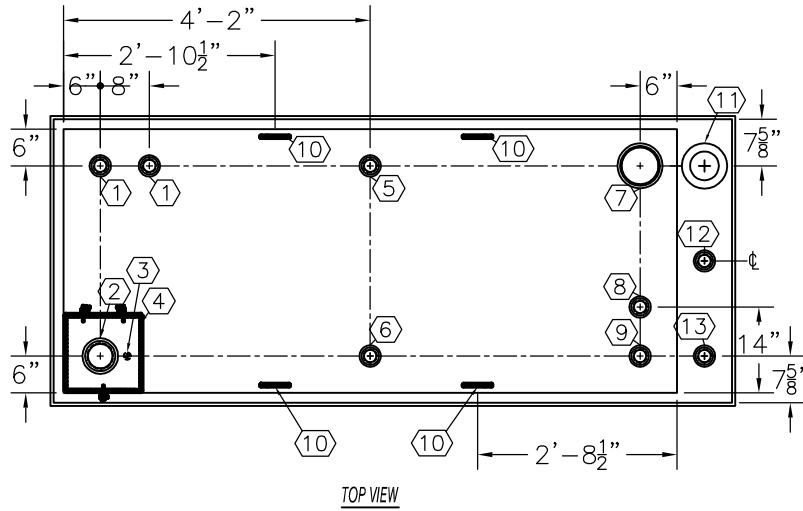
- F. Riser Pipe with Upflow Vent
- G. Primary Tank Emergency Vent
4", 6", 8", or 10"
- H. Secondary Containment
Emergency Vent 4", 6", 8" or 10"
- I. Leak Gauge
- J. 2" Secondary Containment
Working Vent
- K. Anti-Siphon Valve
with Internal Suction Line
- L. Mechanical Gauge
- M. 2" or 3" Overfill Prevention Valve



**CONTAINMENT
SOLUTIONS**



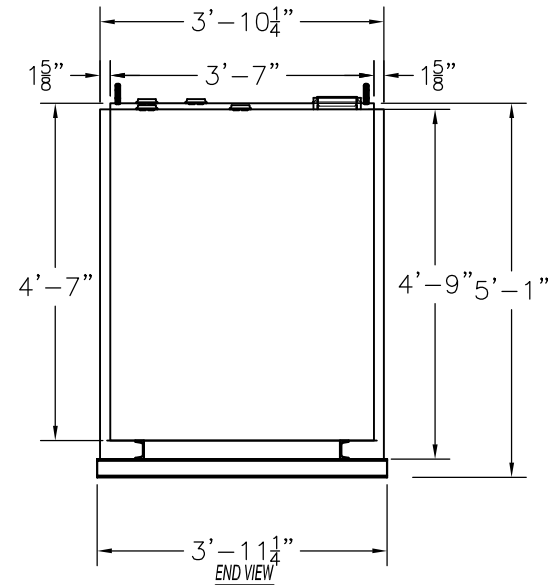
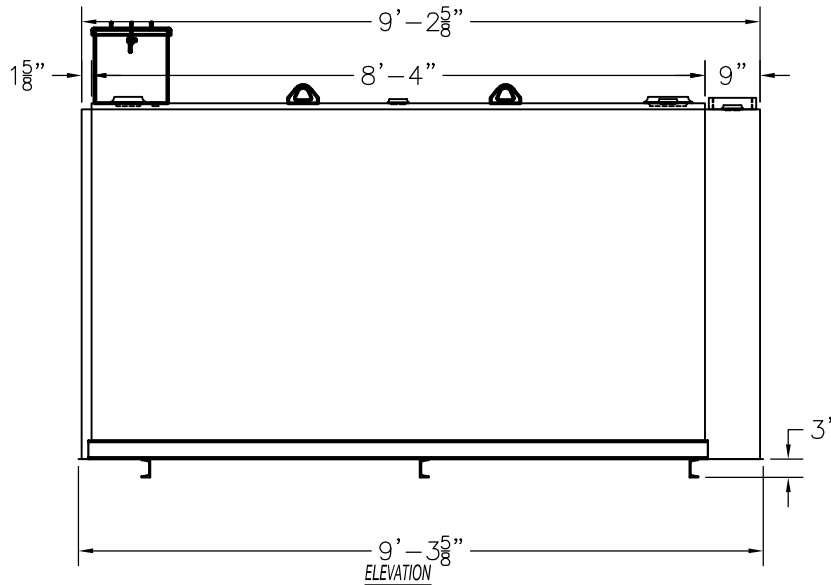
NOTE:
OVERALL SHIPPING DIMENSION: 9'-4" L X 4'-0" W X 6'-2" H



| ITEM | SIZE | SUGGESTED FUNCTION |
|------|--------|--------------------------------------|
| 1 | 2" | SPARE |
| 2 | 4" | FILL |
| 3 | 1/2" | DRAIN FOR SPILLBOX |
| 4 | 7 GAL. | SPILLBOX, DWG."SBB002" |
| 5 | 2" | PRIMARY TANK WORKING VENT |
| 6 | 2" | MECHANICAL GAUGE/SPARE |
| 7 | 6" | PRIMARY TANK EMERGENCY VENT |
| 8 | 2" | RETURN |
| 9 | 2" | SUPPLY |
| 10 | SMALL | LIFTING LUG |
| 11 | 6" | SECONDARY CONTAINMENT EMERGENCY VENT |
| 12 | 2" | SECONDARY MONITOR PORT |
| 13 | 2" | SECONDARY WORKING VENT |

TANK SPECIFICATIONS

VENTING CAPACITY: PRIMARY TANK - 147,000 CUBIC FEET PER HOUR
 SECONDARY TANK - 168,000 CUBIC FEET PER HOUR
 MATERIAL: PRIMARY TANK - 10 GA.
 SECONDARY TANK - 10 GA.



| PRODUCT CODE | GALLONS | DESCRIPTION | OVERALL SIZE | SHIP WT. |
|---------------|---------|---|-----------------------------|------------|
| GCAA101MDS001 | 1,000 | UL-142 DOUBLE WALL GEN CUBE TANK W/SPILLBOX | 9'-4" L X 4'-0" W X 5'-1" H | 2,400 LBS. |



THIS DRAWING AND DESIGN SHOWN HEREIN IS THE PROPERTY OF CONTAINMENT SOLUTIONS. USE OR COPIES THEREOF CANNOT BE MADE WITHOUT WRITTEN CONSENT.

CUSTOMER NAME: _____
APPROVED BY: _____ DATE: _____

| | |
|---------------------|----------------------|
| DRAWN BY: D. ROVANG | DATE DRAWN: 01-01-14 |
| DWG NUMBER: 5104007 | SCALE: 1:32 |
| REV: _____ | REV BY: _____ |
| DATE: _____ | SHEET: 1 OF 1 |