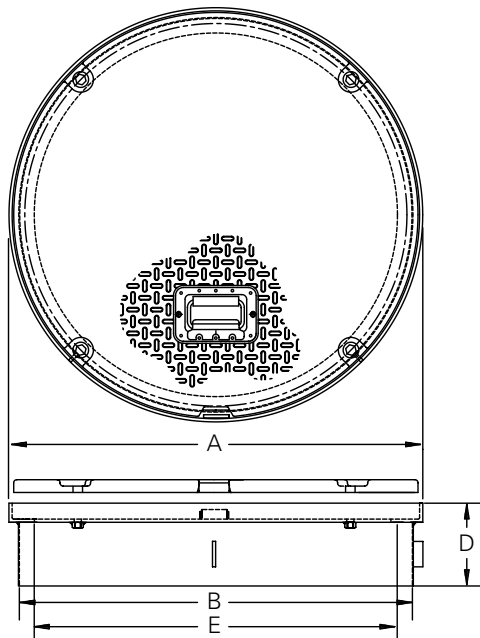


FIBER REINFORCED COMPOSITE ACCESS COVER

SAFE-LITE FRC access covers are ultra lightweight. Engineered and tested to exceed the D.O.T. H20 load ratings. Covers weigh almost one-third less than steel, which dramatically reduces injury potential during cover removal. Available in 12", 30", 36", and 42" sizes. The slide action cover further reduces the chance of injury by eliminating the need to bend down to remove or replace the cover.



SPECIFICATIONS



Model	A		B		D		E	
	In	cm	In	cm	In	cm	In	cm
12"	13.75	34.93	12	30.48	8.5	21.59	12	30.48
30"	32.75	83.19	31.12	79.38	12	30.48	28.75	73.03
36"	40.25	102.24	38.62	98.09	12	30.48	36.25	92.08
42"	45	114.30	43.38	110.19	12	30.48	41	104.14

ORDERING INFORMATION

12" Round Access Way with FRC Covers

Model	Cover OD	Description
78121212BLK	12.88"	Black with 12" skirt
78121212ORG	12.88"	Orange with 12" skirt

36" Round Access Way with FRC Covers

Model	Cover OD	Description
78143312GRY	39.5"	Gray, bolted cover with 12" skirt
78143313GRY	39.5"	Gray with 12" skirt
78148512GRY	39.5"	Gray, slide action cover with 12" skirt

30" Round Access Way with FRC Covers

Model	Cover OD	Description
78143012GRY	32"	Gray, bolted cover with 12" skirt
78143013GRY	32"	Gray with 12" skirt

42" Round Access Way with FRC Covers

Model	Cover OD	Description
78144312GRY	44.25"	Gray, bolted cover with 12" skirt
78144318GRY	44.25"	Gray, bolted cover with 18" skirt
78144412GRY	44.25" x 52"	Gray, bolted cover with 42" x 8" top skirt and 52" x 14" bottom skirt
78144313GRY	44.25"	Gray with 12" skirt
78148612GRY	44.25"	Gray, slide action cover with 12" skirt

ORDERING INFORMATION CONTINUED

12" Round Covers

Model	Cover OD	Description
78130201	12.88"	Black
78130207	12.88"	Orange

30" Round Covers

Model	Cover OD	Description
78145906	32"	Gray, bolted cover
78149006	32"	Gray

36" Round Covers

Model	Cover OD	Description
78145606	39.5"	Gray, bolted cover
78144806	39.5"	Gray
78148206	39.5"	Gray, slide action cover

42" Round Covers

Model	Cover OD	Description
78144106	44.25"	Gray, bolted cover
78144506	44.25"	Gray
78148306	44.25"	Gray, slide action cover

36" FRC Aramid Covers

Model	Cover OD	Description
78044806	39.5"	Gray
78045606	39.5"	Gray, bolted cover

42" FRC Aramid Covers

Model	Cover OD	Description
78044106	44.25"	Gray, bolted cover
78044506	44.25"	Gray

36" Round Access Ways with FRC Aramid Covers

Model	Cover OD	Description
780492BD	39.5"	Bolted cover with 12" skirt
780492NB	39.5"	12" skirt
780492SA	39.5"	Slide cover
780492SB	39.5"	Gray, slide action cover with bolt-down option

36" Round Access Ways with FRC Aramid Covers

Model	Cover OD	Description
780491BD	44.25"	Bolted cover with 12" skirt
780491NB	44.25"	12" skirt
780491SA	44.25"	Slide action cover
780491SB	44.25"	Slide action cover with bolt-down option