



# Aboveground Piping for Flammable & Combustible Liquids

**DoubleTrac® is the new standard for safety, ANSI/CAN/UL/ULC 1369:2020 includes Aboveground Piping for generators, airports, and marinas.**



## Has your pipe been tested?

- ANSI/CAN/UL/ULC 1369:2020
- 2021 NFPA 30 CODE
- 2021 INTERNATIONAL FIRE CODE
- 2021 INTERNATIONAL MECHANICAL CODE
- UV Exposure Test
- Motor Vehicle Fuels
- High Blend Fuels
- Concentrated Fuels
- Aviation and Marine Fuels
- DEF
- Concentrated and Blended Bio Fuels

**DoubleTrac® by OmegaFlex is now Dual listed.** DoubleTrac® is listed to UL 971A CAN/ULC S679, the standard for Metallic Underground Piping for Flammable Liquids and listed to UL/ULC 1369, the standard for Aboveground Piping for Flammable and Combustible Liquids.

**DoubleTrac®, our reputation is stainless.** Take the guess work out of your pipe and go with one of the only piping systems on the market listed to UL/ULC 1369.



For more information please visit us at

**doubletrac.net**

© Omega Flex, Inc. 2020

**OmegaFlex®**

OmegaFlex, Inc.

451 Creamery Way, Exton, PA 19341-2509

Tel: 1-610-524-7272 Fax: 1-610-524-6484

Toll Free: 1-800-355-1039

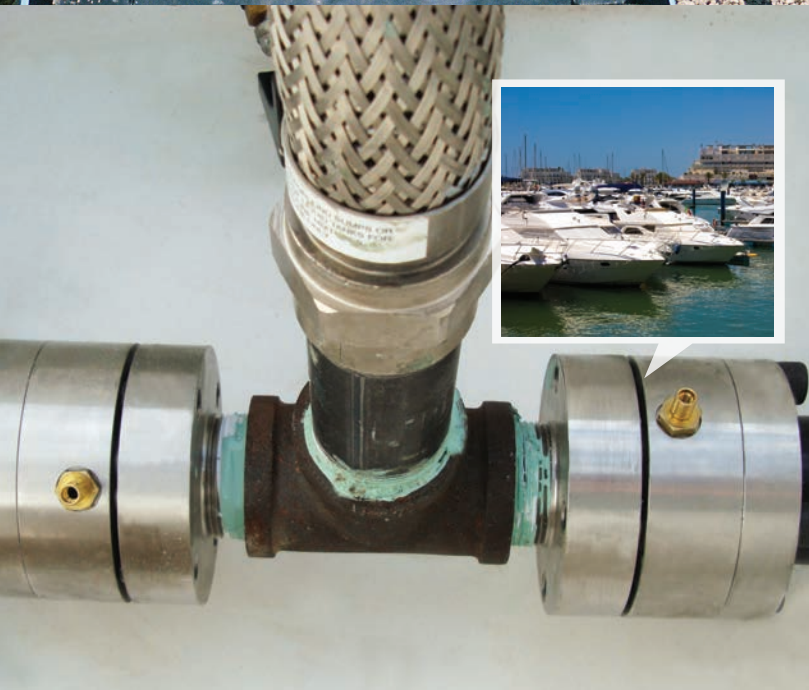
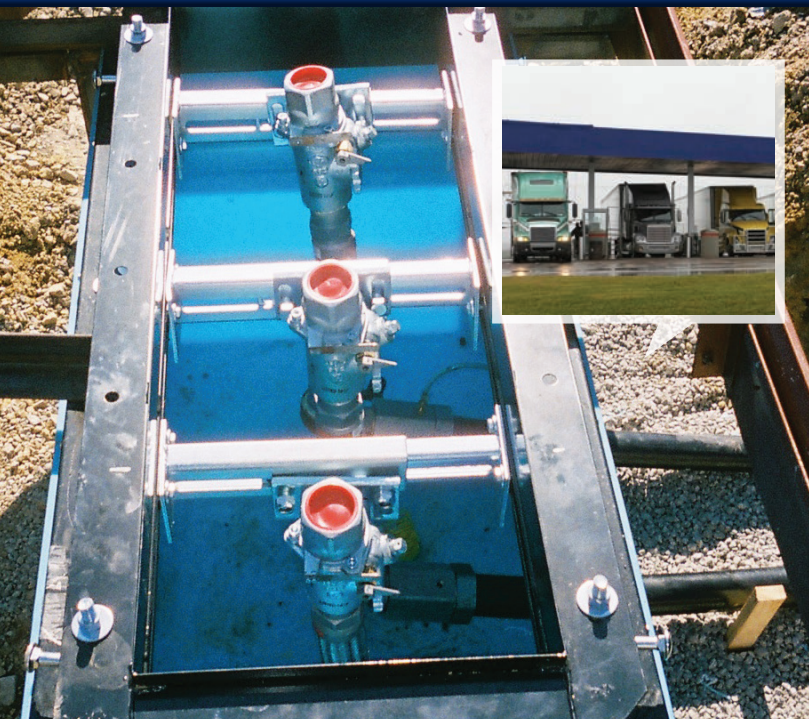
DBT-226 REV 11/20



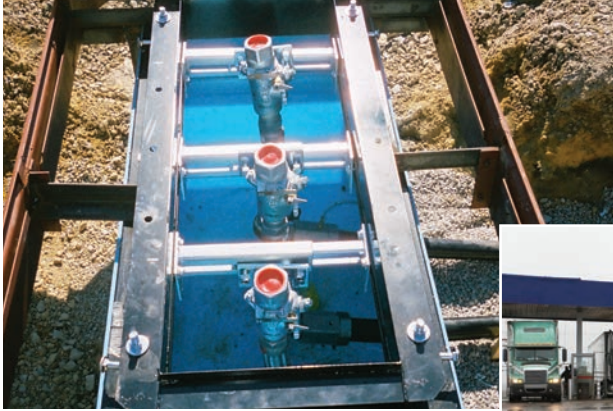
*Double Containment Piping for Diesel, Gasoline, Biofuels and DEF*

**UL 971A LISTED FOR METALLIC UNDERGROUND FUEL PIPE AND**

**UL 1369 LISTED FOR ABOVEGROUND PIPING FOR FLAMMABLE AND COMBUSTIBLE LIQUIDS**



## Installation Applications and Uses



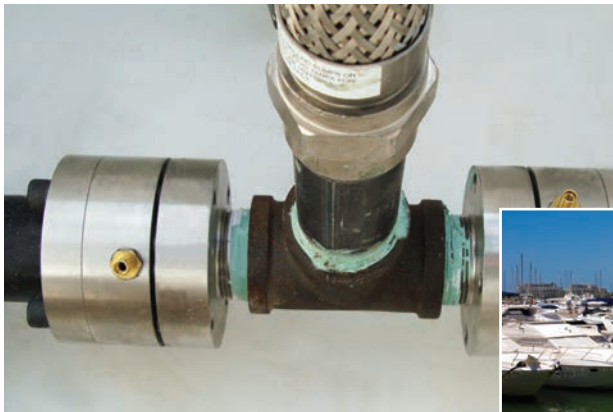
### UST – Features and Benefits

DoubleTrac® by OmegaFlex® is a flexible direct-burial piping that is easy to install and less labor intensive than rigid piping installations. DoubleTrac® requires no special tools to assemble, can be bent by hand and the patented field attachable fittings provide a reliable metal to metal seal through proven technology. DoubleTrac® is supplied in continuous lengths from a spool, eliminating the need for splice joints, electro-fusion joint welding, and adhesives.



### AST – Features and Benefits

DoubleTrac®'s innovative double wall design, which includes a UV stabilized Nylon 12 outer layer, provides excellent resistance to weathering and chemical exposure. Elbows and tees are available to facilitate installations in restricted spaces and double containment is maintained throughout all fittings.



### Marina – Features and Benefits

DoubleTrac® is easily routed alongside or underneath docks. The Nylon 12 outer jacket is UV stabilized and salt water resistant; no chase pipe required. DoubleTrac® can be supplied in extra-long continuous lengths, eliminating the need for transition sumps on the dock. Additionally, OmegaFlex® offers a double containment flexible floating dock connector.



### Aviation – Features and Benefits

All DoubleTrac® wetted surfaces are stainless steel and suitable for use with all aviation fuels. DoubleTrac®'s secondary containment is rated for 50psig or full vacuum and allows for continuous monitoring.



Size	1"	1.5"	2"
Part No.	UGF-FSP-16	UGF-FSP-24	UGF-FSP-32
Description	1" Double Wall Flexible Piping	1.5" Double Wall Flexible Piping	2" Double Wall Flexible Piping
Working Pressure (PSIG)	125 Primary 50 Secondary	100 Primary 50 Secondary	75 Primary 50 Secondary
Minimum Bend Radius (INCHES)	12	24	32
Weight (LBS/FT)	0.75	1.50	2.00
Lengths	up to 1000 ft.	up to 1000 ft.	up to 1000 ft.
Operating Temperature	Underground: -40° F to 150° F Aboveground: -22° F to 122° F		

### 1) Corrugated Stainless Steel Primary Pipe

This zero-permeation, ASTM A 240 316 series stainless steel pipe is highly resistant to corrosion, providing longer life and exceptional crush resistance.

### 2) EFEP Secondary Barrier Jacket

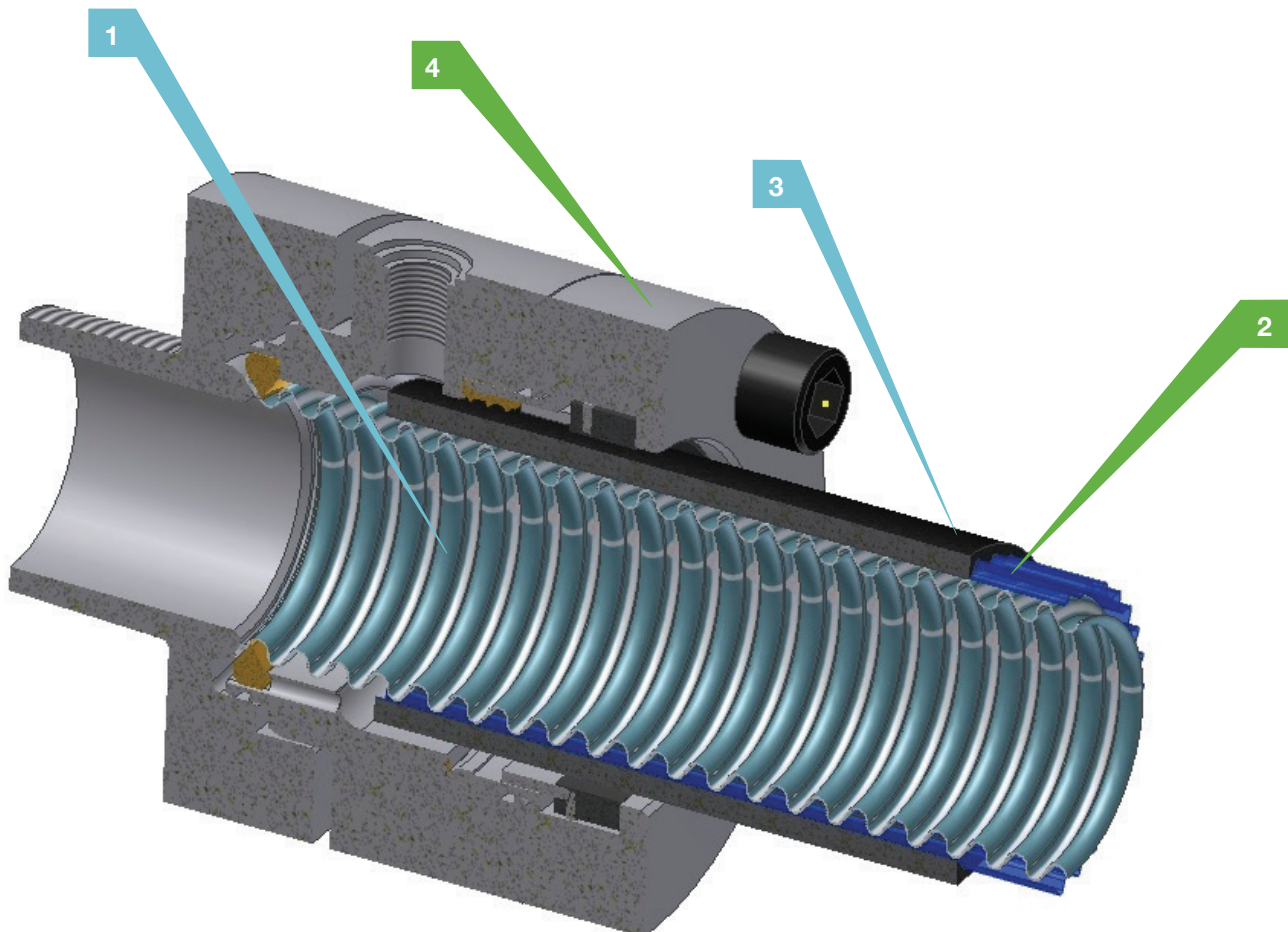
This layer is bonded to the Nylon 12 protective layer to offer secondary containment with exceptional permeation resistance for product compatibility. Interstitial space allows continuous monitoring for leak detection, with a 50 psig rating for pressurized systems.

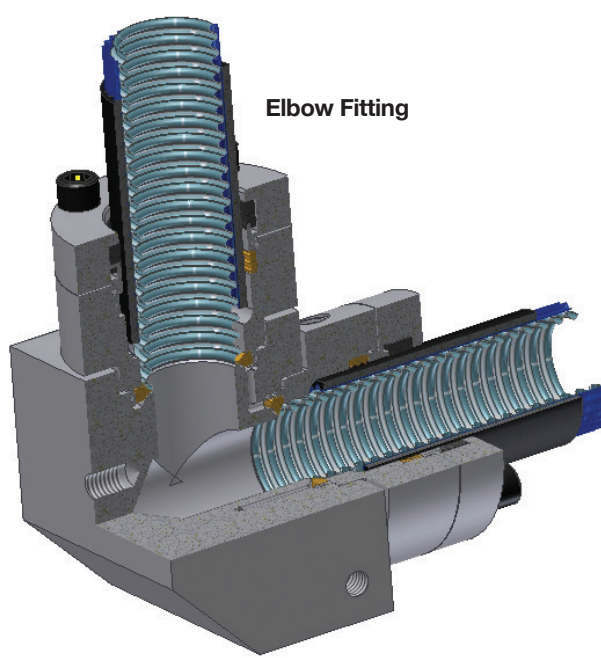
### 3) UV Stabilized Nylon 12 Outer Jacket

This direct-burial layer offers exceptional resistance to hydrocarbons, chemical and water exposure, and carries a 50 psig rating. UV stabilized for above ground and marine use.

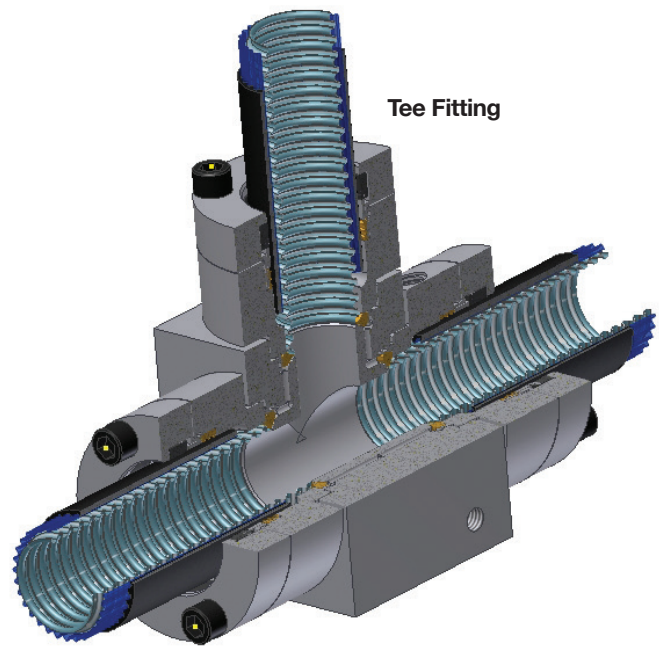
### 4) New Quicker, Easier Assembly Fitting

Provides a metal to metal sealing surface that's unsurpassed in reliability and user friendliness, and is field-attachable using standard tools.





Elbow Fitting



Tee Fitting

### Specification Data

#### Corrugated Stainless Steel Tubing Materials

MECHANICAL JOINT FITTING: Stainless Steel Fitting

NOTE: Fitting joint with tubing shall provide a metal-to-metal seal; no gaskets permitted

NOTE: All fittings meet Salt Spray Test requirements of ASTM B-117-90

NOTE: UL 971A and UL 1369 listed under file number MH45578.

## OmegaFlex®

### Background

Established in 1975, OmegaFlex® is the preeminent international producer of flexible metallic piping products. With over 90 patents registered worldwide, OmegaFlex® supplies proprietary products for a broad number of applications and markets, which include primary steel production, semiconductor, medical, pharmaceutical, petrochemical, residential and commercial construction, and power generation.

### OmegaFlex® Philosophy

- Provide our customers quality products through teamwork and continuous improvements
- Strive for zero defects
- Create an environment that allows continuous and above average growth
- Provide a positive working environment with a commitment to employee training
- Stress quality awareness and its benefits to both customers and employees
- Empower our employees to perform to the best of their abilities

### OmegaFlex® Products and Install Base

OmegaFlex® is committed to serving its customers with the largest selection of sizes and materials in the corrugated metal flexible piping industry. Whether it is designing highly engineered specialty assemblies for OEM applications, gas piping for new home construction, supporting its large network of fabricating distributors, or designing the new DoubleTrac® flexible piping system, OmegaFlex® has the dedication and the resources to meet the needs of today's demanding requirements. Listed below are some of the standard products offered by OmegaFlex®.

**Industrial Metal Hose**—Highly engineered assemblies for numerous applications such as steel mills, petrochemical facilities, power generation and cryogenic applications.



For more information please visit us at [www.doubletrac.net](http://www.doubletrac.net) or call 1-800-355-1039.

[www.DoubleTrac.net](http://www.DoubleTrac.net)

© Omega Flex, Inc. 2021

## OmegaFlex®

Omega Flex, Inc.

451 Creamery Way, Exton, PA 19341-2509

Tel: 1-610-524-7272 Fax: 1-610-524-6484

Toll Free: 1-800-355-1039

DBT-110 / REV 01/21



***It's Your Money!***  
***Make a single investment and never replace failed pipe again!***



**30 Year  
Warranty!**

316L stainless steel primary pipe  
Compatible with all current and future fuels  
Only underground fuel pipe to pass 2 hour fire test  
Continuous double wall pipe  
Easy to install - no gluing or weather delays  
No polyethylene - no growing pipe  
30 year warranty on pipe and fittings



**doubletrac.net**

# DOUBLETRAC FEATURES AND BENEFITS FOR RETAIL APPLICATIONS

## DURABILITY

- 316L Stainless steel primary good for all blends of ethanol, bio-fuels and DEF, no need to change out pipe for future fuel, additives or ethanol blends
- Mechanical fittings do not require special tools, no welders, benders, sanding glue kits etc. - stainless fittings available which contain both primary (metal-to-metal seal) and secondary seals and are reusable
- Mechanical fittings passed two hour fire test
- Interstitial space is 38 times faster than the UL minimum requirements
- .000001 GPH permeation rate, exceeds the allowable .05 GPH by 1000 times – DoubleTrac doesn't permeate!

## EASE OF INSTALLATION

- Available sizes 1", 1.5" and 2" - offered in rolls and sticks and can be ordered by the foot
- Fittings available with Quick Connector style ends
- Traceable when underground without a need for a tracer or locator
- Can be installed in all types of weather - Bend radius at 20°F for 1" = 12", 1.5" = 24" and 2" = 32". Less memory than non-metallic flex pipe
- 30 year warranty on pipe and fittings for USTs with or without chase pipe
- 15 year warranty on pipe and fittings for ASTs
- Contractor on-site training included

