



Product Shown
B833-S32-01

About the B800 Series

Compatible with all common fuels, Bravo's B800 Singlewall and Doublewall Transition Sumps come with a standard snap-lock watertight lid. CA VPH compliant. Two-piece design allows easier interior access.

Bravo Solution Center

Call or Text (323) 541-3851

orders@sbravo.com

SIZES

- 33" wide at base
- 44" wide at base
- 57" wide at base

**See page 2 for dimension drawing and dimension chart*

MATERIAL

- Fiberglass
- Galvannealed steel

SPECIFICATIONS

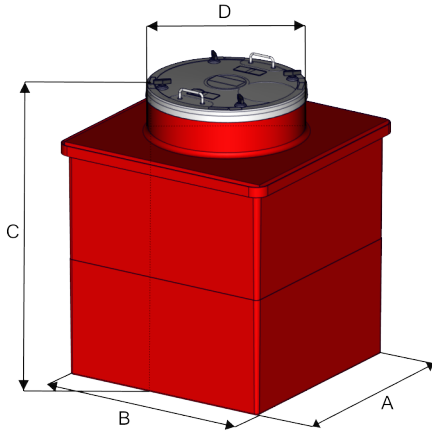
Singlewall

- Easy slurry pour channel
- Quality FRP construction
- 30-year corrosion warranty

Doublewall

- AB2481 compliant in California
- Ships under vacuum test





B800 Commercial Series Two-piece Singlewall

Transition Sump Type	Part #	Description	A	B	C
B833 Commercial	B833-S36-01	Singlewall two-piece FRP transition sump with 32" water-tight Bravo snap-lock lid; requires 1 of EP-S.75GAL; sold separately	33"	33"	36"
B844 Commercial	B844-S48-01	Singlewall two-piece FRP transition sump with 32" water-tight Bravo snap-lock lid; requires 2 of EP-S.75GAL; sold separately	44"	44"	48"
B855 Commercial	B855-S60-01	Singlewall two-piece FRP transition sump with 32" water-tight Bravo snap-lock lid; requires 2 of EP-S.1GAL; sold separately	57"	57"	60"

B800 Commercial Series Doublewall VPH

Transition Sump Type	Part #	Description	A	B	C
B833 Commercial Doublewall VPH	B833-D36-01	Doublewall VPH FRP transition sump with 32" water-tight Bravo Snap-Lock lid	33"	33"	36"
B844 Commercial Doublewall VPH	B844-D48-01	Doublewall VPH FRP transition sump with 32" water-tight Bravo Snap-Lock lid	44"	44"	48"
B855 Commercial Doublewall VPH	B855-D60-01	Doublewall VPH FRP transition sump with 32" water-tight Bravo Snap-Lock lid	57"	57"	60"