

Product Shown
B9380-D36

About the VPH B9000 Doublewall UDC

The B9000 Series Doublewall VPH UDCs are available in models for almost all existing dispensers. All metal work is galvanized and epoxy coated for superior corrosion resistance. This series ships under a continuous 20" Hg vacuum test.

Bravo Solution Center

Call or Text (323) 541-3851
orders@sbravo.com

SIZES

- 28" width at base

**See page 2 for dimension drawing and dimension chart*

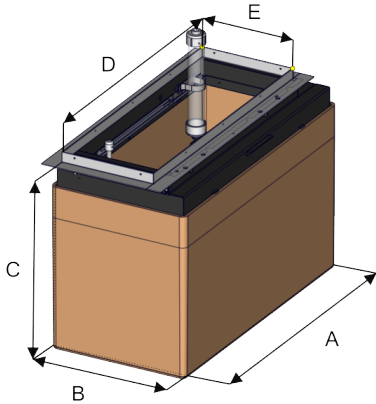
MATERIAL

- Tank-spec doublewall fiberglass
- Epoxy coated galvanized steel
- Doublewall construction allows for constant monitoring

SPECIFICATIONS

- Doublewall construction allows for constant monitoring – triennial testing exempt
- Larger size and roomy interior are compatible with all piping layouts
- Electrical offset frame eliminates the need for conduit penetrations
- Interstice can be monitored hydrostatically or with vacuum
- Interchangeable upper frame for future dispenser upgrades without breaking concrete
- 30-year corrosion warranty
- UL2447 Listed





VPH B9000 Series Doublewall

| Dispenser Model | Part # | A | B | C | D | E |
|---|-----------|-------|-----|-------|--------|--------|
| Gilbarco Encore 300, 500, 700 | B9380-D36 | 41" | 28" | 35.5" | 36" | 15.25" |
| Wayne Ovation (3+0) (3+1) up to 3 inlets | B9250-D36 | 41" | 28" | 35.5" | 35" | 14.75" |
| Wayne Helix Wide Frame | B9256-D36 | 41" | 28" | 35.5" | 40" | 15" |
| Wayne Helix Narrow Frame | B9242-D36 | 29" | 28" | 35.5" | 40.5" | 15" |
| Wayne Ovation High-speed Diesel/Ovation HL Series | B9254-D36 | 41" | 28" | 35.5" | 40.5" | 14.75" |
| Wayne Ovation High-speed Diesel/Ovation HS Series | B9257-D36 | 29" | 28" | 35.5" | 28.5" | 14.75" |
| Wayne Reliance Select | B9210-D36 | 29" | 28" | 35.5" | 27.25" | 15" |
| Gasboy Atlas K or KX | B9670-D36 | 25.5" | 28" | 35.5" | 23" | 11.5" |
| Gasboy Twin Cabinet AX or QX | B9635-D36 | 25.5" | 28" | 35.5" | 22.75" | 12.5" |
| Bennett 3000 Big Fueler | B9430-D36 | 25.5" | 28" | 35.5" | 23" | 12.25" |

Bracket and Kits for VPH B9000 Series Doublewall

| Stabilizer Bar and Bracket Assembly | | |
|-------------------------------------|---------|---|
| All Dispensers with B8000series | BK-8000 | Boss-mount bracket and stabilizer bar assembly with hardware. |

Bravo Solution Center
 Call or Text (323) 541-3851
orders@sbravo.com

