

Product Shown
B9380-S36

About the B9000 Series Singlewall UDC

Compatible with all common motor fuels, the B9000 Series Singlewall UDCs can be sized and tailored to any dispenser model. All metal work is galvanized and epoxy coated for superior corrosion resistance. Interchangeable upper frame allows future dispenser changeouts without breaking concrete.

SIZES

- 28" width at base

**See page 2 for dimension drawing and dimension chart*

MATERIAL

- Tank-spec fiberglass
- Epoxy coated galvanized steel
- Quality FRP material won't deform like polyethylene

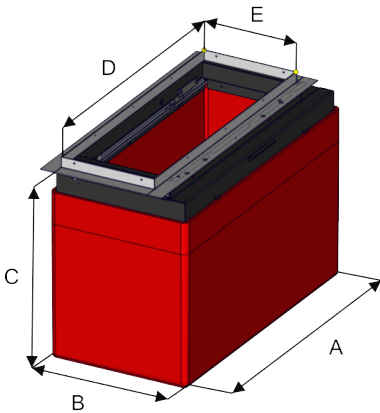
SPECIFICATIONS

- Sized and tailored to any dispenser model
- Larger size and roomy interior are compatible with all piping layouts, including series
- Gel coat and paint free
- Electrical Offset (EO) frame eliminates the need for conduit penetrations
- 30-year corrosion warranty
- UL2447

Bravo Solution Center

Call or Text (323) 541-3851
orders@sbravo.com





B9000 Series Singlewall

Dispenser Model	Part #	A	B	C	D	E
Gilbarco Encore 300, 500, 700	B9380-S36	41"	28"	35.5"	36"	15.25"
Wayne Ovation (3+0) (3+1) up to 3 inlets	B9250-S36	41"	28"	35.5"	35"	14.75"
Wayne Helix Wide Frame	B9256-S36	41"	28"	35.5"	40"	15"
Wayne Helix Narrow Frame	B9242-S36	29"	28"	35.5"	40.5"	15"
Wayne Ovation High-speed Diesel/Ovation HL Series	B9254-S36	41"	28"	35.5"	40.5"	14.75"
Wayne Ovation High-speed Diesel/Ovation HS Series	B9257-S36	29"	28"	35.5"	28.5"	14.75"
Wayne Reliance Select	B9210-S36	29"	28"	35.5"	27.25"	15"
Gasboy Atlas K or KX	B9670-S36	25.5"	28"	35.5"	23"	11.5"
Gasboy Twin Cabinet AX or QX	B9635-S36	25.5"	28"	35.5"	22.75"	12.5"
Bennett 3000 Big Fueler	B9430-S36	25.5"	28"	35.5"	23"	12.25"

Bracket and Kits for B9000 Series Singlewall

Stabilizer Bar and Bracket Assembly		
All Dispensers with B8000 series	BK-8000	Boss-mount bracket and stabilizer bar assembly with hardware.

Bravo Solution Center
 Call or Text (323) 541-3851
orders@sbravo.com

