

Product Shown
B1380-S30

About the B1000 Series

The Bravo B1000 Series, one of the most cost-competitive UDCs on the market today, provides optimum flexibility for modern station designs with its efficient design and electrical offsets on both ends of the UDC. Constructed from fuel compatible fiberglass resin with no gel coat requirement and galvanized steel.

SIZES

- 28" width at base

**See page 2 for dimension drawing and dimension chart*

MATERIAL

- Fiberglass
- Galvanized steel
- Quality FRP material won't deform like polyethylene

SPECIFICATIONS

- Available for all common dispensers
- 28" width offers more inside room for components
- 30-year corrosion warranty
- Room for up to 10 conduits
- FRP splash lip and minimized steel work provides corrosion advantage
- UL2447 listed

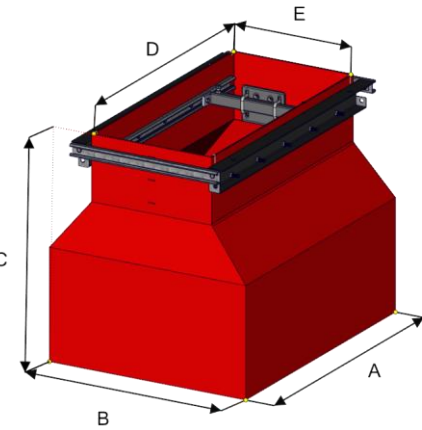
Bravo Solution Center

Call or Text (323) 541-3851
orders@sbravo.com



Bracket and Kits for B1000 Series

| Stabilizer Bar and Bracket Assembly | | |
|---|---------|---|
| Encore/Helix Wide | BK-1017 | Boss-mount bracket for B1000 & stabilizer bar for 17". Wide assembly with hardware. |
| Ovation/Ovation High Speed/Helix Narrow/Pacific/Reliance/Select | BK-1015 | Boss-mount bracket for B1000 & stabilizer bar for 15". Wide assembly with hardware. |
| Atlas/Bennett 3000 | BK1011 | Boss-mount bracket for B1000 & stabilizer bar for 11". Wide assembly with hardware. |



B1000 Series

| Dispenser Model | Part # | A | B | C | D | E |
|---|-----------|-------|-------|-------|-------|--------|
| Gilbarco Encore 300, 500, 700 | B1380-S30 | 38.5" | 28" | 29.5" | 37.5" | 17" |
| Wayne Ovation (3+0) (3+1) up to 3 inlets | B1250-S30 | 37" | 28" | 29.5" | 35" | 14.75" |
| Wayne Ovation High-speed Diesel/Ovation HL Series | B1254-S30 | 37" | 28" | 29.5" | 35" | 14.75" |
| Wayne Ovation High-speed Diesel/Ovation HS Series * | B1257-S30 | 29" | 28" | 29.5" | 27.5" | 14.75" |
| Wayne Helix Wide Frame | B1256-S30 | 38.5" | 28" | 29.5" | 37.5" | 17" |
| Wayne Helix Narrow Frame | B1242-S30 | 29" | 28" | 29.5" | 27.5" | 14.75" |
| Wayne Reliance Select | B1210-S30 | 29" | 28" | 29.5" | 27.5" | 14.75" |
| Bennett Pacific | B1411-S30 | 37" | 28" | 29.5" | 35" | 14.75" |
| Bennett 3000 Big Fueler * | B1430-S30 | 19" | 29.5" | 29.5" | 19" | 11.5" |
| Gasboy Atlas | B1670-S30 | 19" | 29.5" | 29.5" | 19" | 11.5" |

* Electrical Offsets on one end

