

Product Shown
B1380-E30

About the Economy B1000 Series

One of the most cost competitive UDCs on the market, the B1000-E Series is an exclusive offer by Bravo that features electrical offsets on both ends of the UDC, providing flexible compatibility with modern station designs. The reduced metal work is galvanized while the splash lip is FRP, ensuring a distinct corrosion advantage over other designs.

Bravo Solution Center

Call or Text (323) 541-3851
orders@sbravo.com

SIZES

- 28" width at base

**See page 2 for dimension drawing and dimension chart*

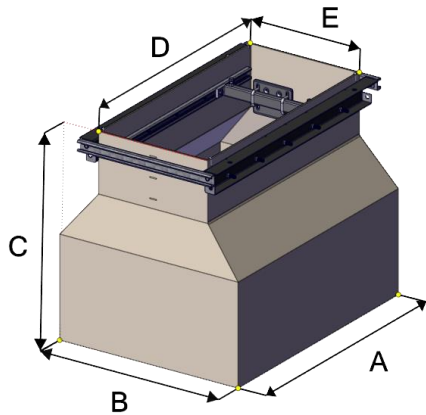
MATERIAL

- Fiberglass
- Galvanized steel
- Quality FRP material won't deform like polyethylene

SPECIFICATIONS

- 28" width for more room inside the UDC for components
- Superior materials priced comparably to polyethylene UDCs
- Room for up to 10 conduits
- Pre-plumb options available
- 10-year corrosion warranty
- UL2447 listed





Bracket and Kits for Economy B1000 Series

Stabilizer Bar and Bracket Assembly		
Encore/Helix Wide	BK-1017	Boss-mount bracket for B1000 & stabilizer bar for 17". Wide assembly with hardware.
Ovation/Ovation High Speed/Helix Narrow/Pacific/Reliance/Select	BK-1015	Boss-mount bracket for B1000 & stabilizer bar for 15". Wide assembly with hardware.
Atlas/Bennett 3000	BK1011	Boss-mount bracket for B1000 & stabilizer bar for 11". Wide assembly with hardware.

Economy B1000 Series

Dispenser Model	Part #	A	B	C	D	E
Gilbarco Encore 300, 500, 700	B1380-E30	38.5"	28"	29.5"	37.5"	17"
Wayne Ovation (3+0) (3+1) up to 3 inlets	B1250-E30	37"	28"	29.5"	35"	14.75"
Wayne Helix Wide Frame	B1256-E30	38.5"	28"	29.5"	37.5"	17"
Wayne Helix Narrow Frame	B1242-E30	29"	28"	29.5"	27.5"	14.75"
Wayne Ovation High-speed Diesel/Ovation HL Series	B1254-E30	37"	28"	29.5"	35"	14.75"
Wayne Ovation High-speed Diesel/Ovation HS Series *	B1257-E30	29"	28"	29.5"	27.5"	14.75"
Wayne Reliance Select	B1210-E30	29"	28"	29.5"	27.5"	14.75"
Bennett Pacific	B1411-E30	37"	28"	29.5"	35"	14.75"
Bennett 3000 Big Fueler*	B1430-E30	19"	29.5"	29.5"	19"	11.5"
Gasboy Atlas	B1670-E30	19"	29.5"	29.5"	19"	11.5"

* Electrical Offsets on one end

