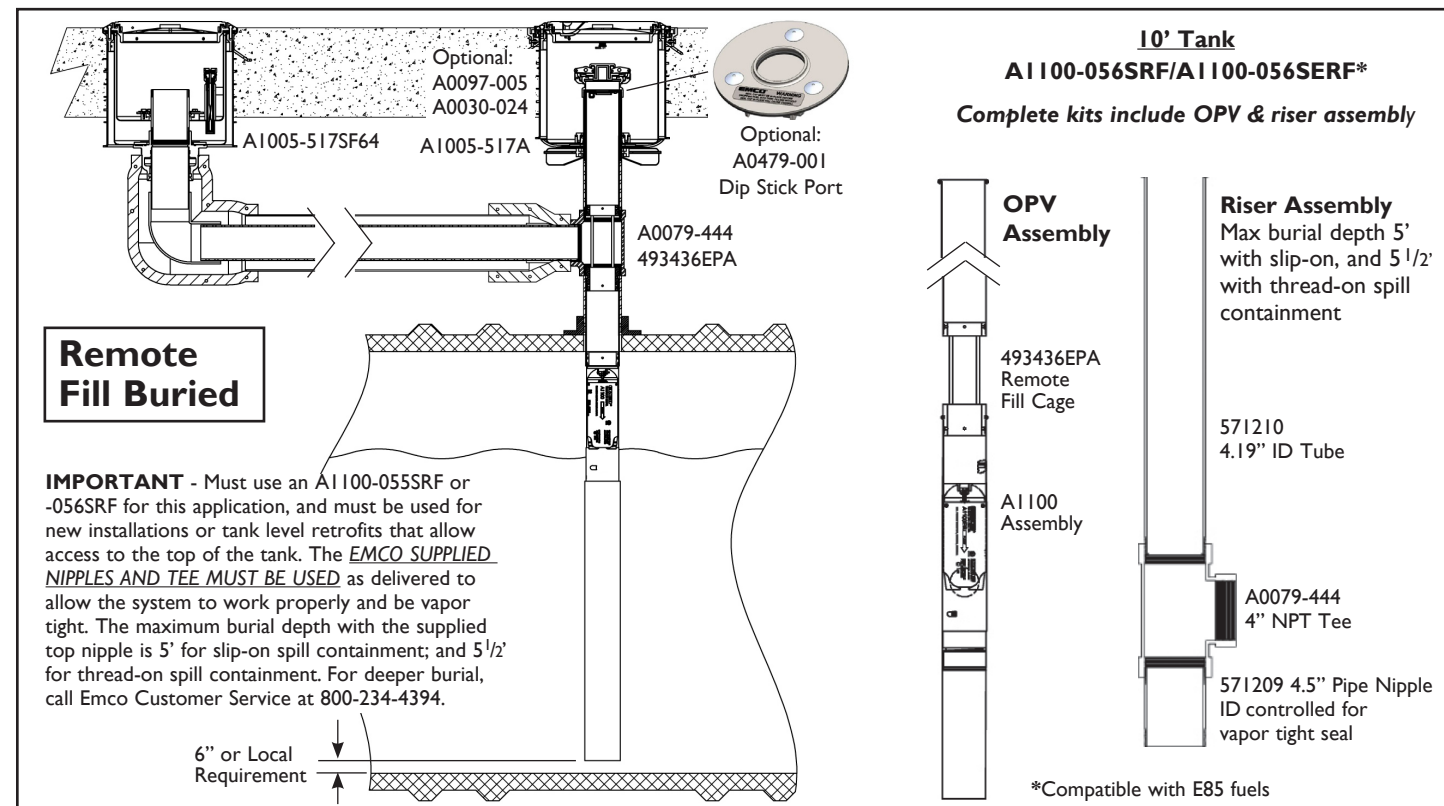
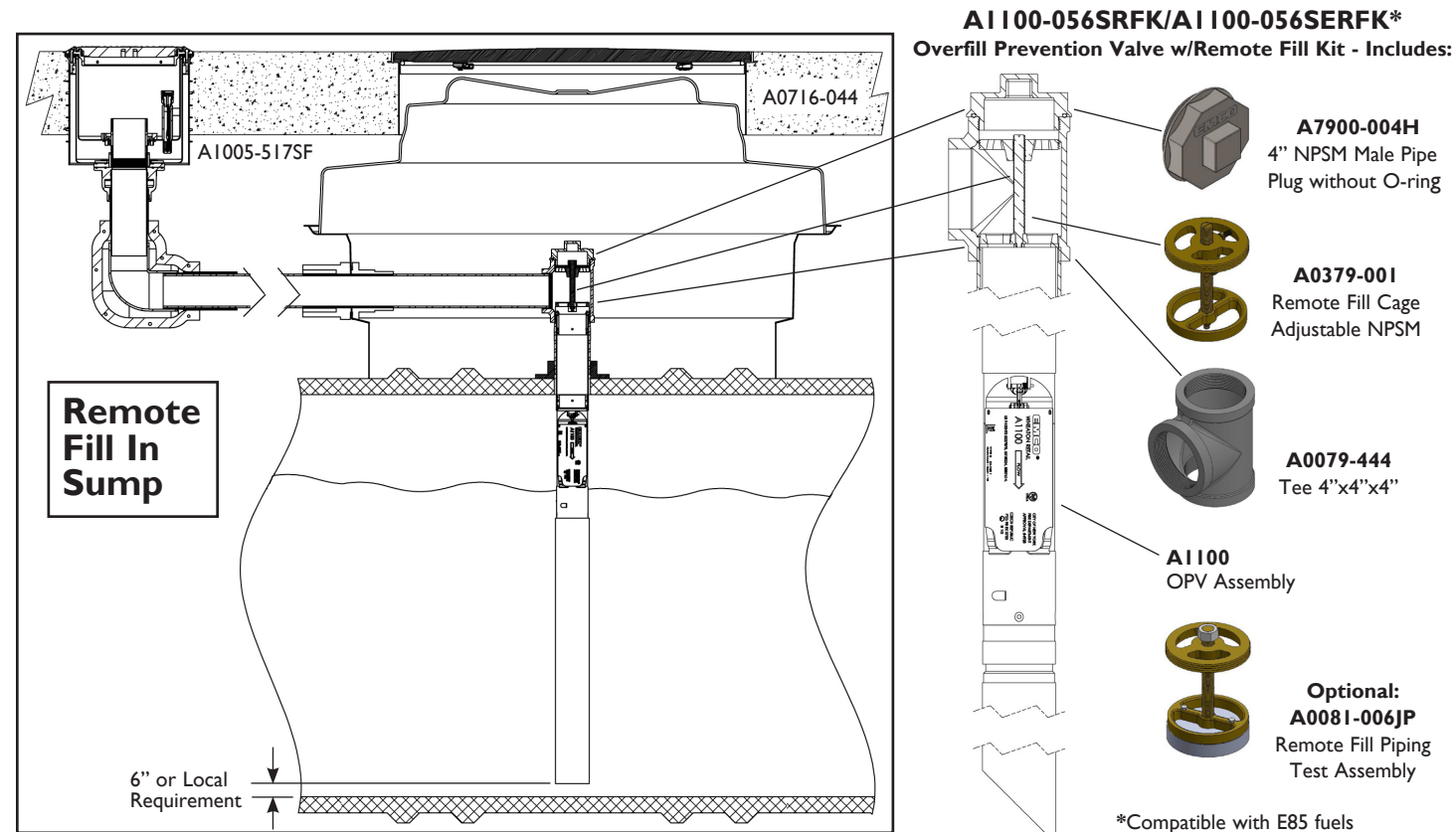


Remote Fill Applications

The remote fill variants are designed for new or tank level retrofit applications in an 8' or 10' tank buried 46" - 54" from the top of the tank to grade. Tank top access is required. If the tank burial depth is less than 46" or greater than 54", alternate or additional equipment will be required. For additional applications and installation instructions, call Customer Service, 800-234-4394.



Emco Wheaton Retail Corporation

2300 Industrial Park Drive • Wilson, North Carolina 27893 • 252-243-0150 • 252-243-4759 (fax) • www.emcoretail.com

V-1004
09/19

EMCO
WHEATON RETAIL

A1100
Guardian Overfill
Prevention Valve

Factory Welded
Assemblies



EVR, E85 and
Bio-Diesel Versions
Available

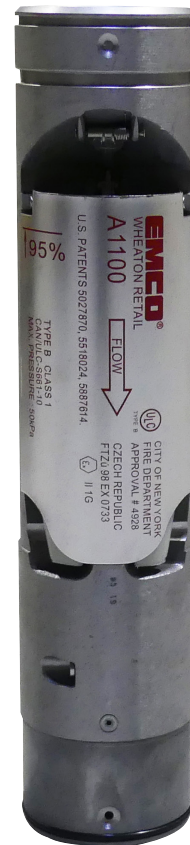
Best Quality • Best Flow • Best Price

EMCO WHEATON RETAIL CORPORATION

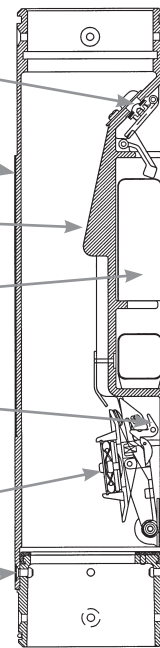
2300 Industrial Park Drive • Wilson, North Carolina 27893
252-243-0150 • 252-243-4603 (fax) • www.emcoretail.com

A1100 Guardian Overfill Prevention System

The Emco Wheaton A1100 is a two stage overfill prevention valve for use in both dual point and coaxial drop tubes, gravity feed systems. Easily installs in a new or existing drop tube assembly for economical compliance with EPA regulations. Internal float design to eliminate any chance of the floats getting caught on tank walls or the riser pipe as well as to prevent float damage during installation. Stick diverter and automatic spring loaded poppet retract from the flow path when the valve is not in operation, allowing for stick gauging at any tank level. Compatible with all standard fuels. Special variants are available for most bulk chemical applications.



- **Drain Bleed Valve** for hose drainage, reduces unnecessary delays. Spring loaded and includes soft seat for positive seal
- **Protective Retainer** over floats for protection during installation, shipping and operation
- **Cast-in Dip Stick Diverters** permit stick gauging at any tank level without damage to internal parts
- **Vertical Slide Float Design** for protection during installation
- **Auto Relatch** prevents premature shut-off
- **Integrated Body Design** suitable for both dual point and coaxial drop tubes - one valve for all applications
- **Shock Relief Valve** incorporated to reduce line shock
- **Viton® O-Rings** at base of valve seals drop tube to valve to protect against leakage



Specifications

Weight: 5.2 lbs.
Diameter: 3.76"
Length: 18.0"

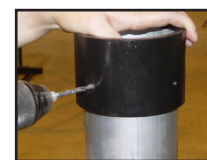
Approvals

CARB Approval 99-8
ULC MH21164
Florida DEP EQ-414

Material

Body: Aluminum
Floats: HDPE
Seals: Viton®

Viton® is a registered trademark of The Chemours Company

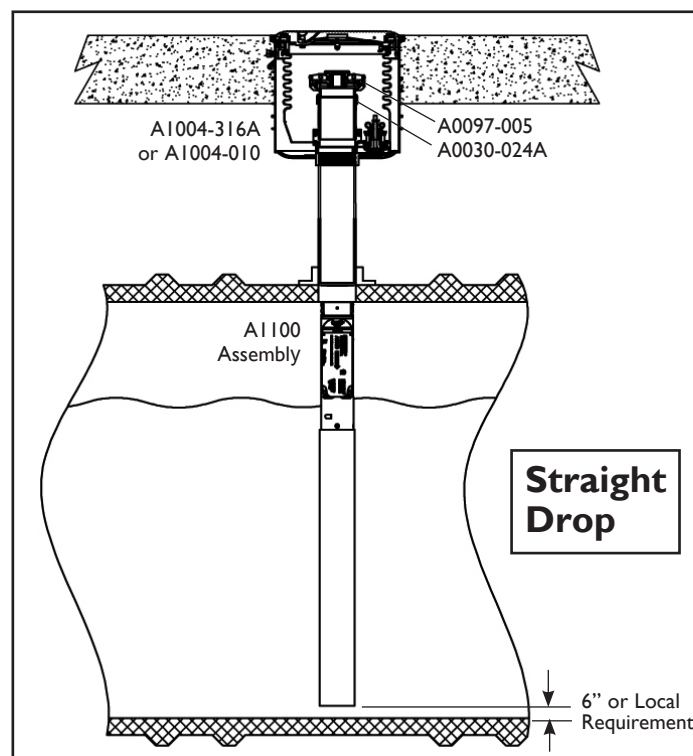


566675, 572719 Drill Fixture - Aligns holes for attaching support collar



571814 Drill Fixture - For remote fill applications

Part No.	Description
566675	Drill Fixture, Steel
571814	Drill Fixture, Remote Fill Assemblies
572719	Drill Fixture, Plastic



For remote fill applications, refer to table at right; drawings on back page.

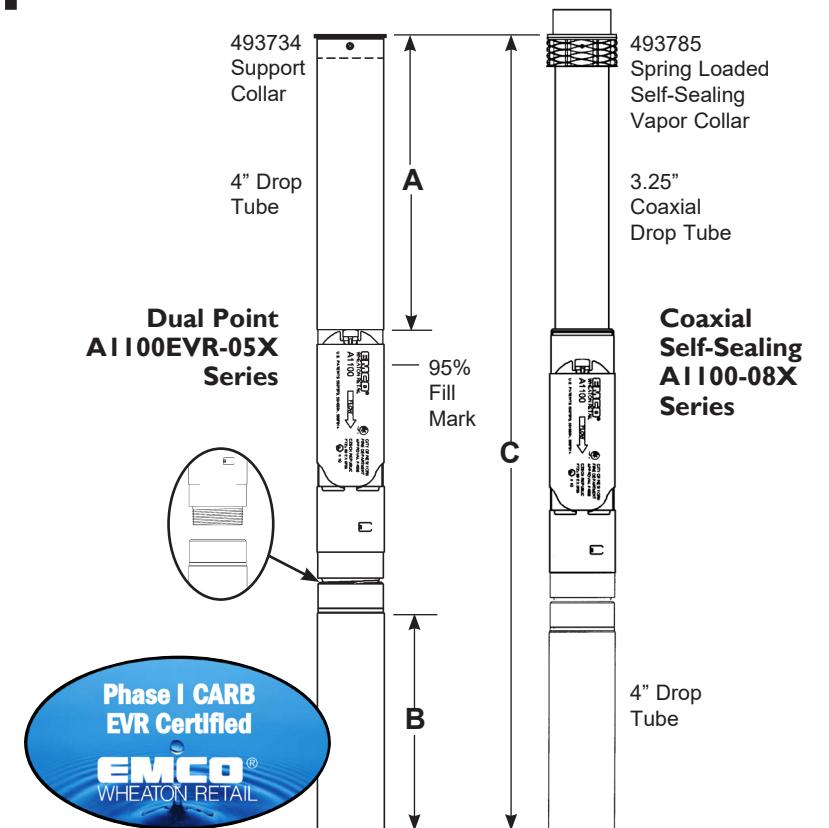
Emco A1100 Overfill Prevention Assemblies are factory welded; bottom tube screws to top tube/valve assembly. **No Epoxy**

The A1100EVR dual point and A1100-08X series coaxial assemblies are vapor tight, meet the EPA 40 CFR Part 63 requirements, and will pass the Pressure Decay Test (CARB TP201).

Note: The A1100-08X Coaxial Series must be used with the Emco A0089-001 Fill Adapter.

All standard A1100 variants are acceptable for use with up to E25 ethanol blend gasoline and B20 Biodiesel blends. Higher percentage ethanol or biodiesel require use of the "E" variant.

The "CF" variants listed below incorporate an anodized top tube to prevent corrosion build-up between tube and riser pipe. The tube is champagne color for easy identification.



Model No.	Description	Upper Length A	Lower Length B	Overall Length C	Max. Burial Depth	Nominal Tank Dia.	Lbs.
A1100-010	Valve Only	N/A	N/A	N/A	N/A	N/A	5.2
A1100-010E	Valve Only E85	N/A	N/A	N/A	N/A	N/A	5.7
A1100-011	Valve Only Remote Fill Export	N/A	N/A	N/A	N/A	N/A	5.0
A1100-054S	Remote Fill Export	47"	99"	161"	N/A	N/A	28.5
A1100-054SC	Remote Fill w/Cage BSPT Export	47"	99"	161"	N/A	N/A	27.9
A1100-054SCN	Remote Fill w/Cage NPT	47"	99"	161"	N/A	N/A	25.0
* A1100-056SERF	Remote Fill Assembly and Kit, E85	82"	94"	199"	4.0'	10'	66.5
* A1100-056SRF	Remote Fill Assembly and Kit	82"	94"	199"	4.0'	10'	66.5
A1100-056SERFK	Remote Fill Kit, Sump, E85	82"	94"	191"	--	10'	40.7
A1100-056SRFK	Remote Fill Kit, Sump	82"	94"	191"	--	10'	40.7
A1100-053S	Dual Pt Screw Together	58"	49"	122"	5.0'	6.5'	22.1
** A1100EVR-055	Dual Pt Screw Together	70"	82"	167"	6.0'	8'	25.2
** A1100EVR-056	Dual Pt Screw Together	82"	94"	191"	7.0'	10'	27.2
** A1100EVR-056CF	Dual Pt Screw Together; Anodized Top Tube	82"	94"	191"	7.0'	10'	27.2
** A1100EVR-057	Dual Pt Screw Together	82"	120"	217"	6.8'	12'	30.3
A1100EVR-057E	Dual Pt Screw Together E85	82"	120"	217"	6.8'	12'	30.5
* A1100EVR-058	Dual Pt Screw Together	120"	120"	255"	10.0'	12'	31.0
* A1100EVR-058CF	Dual Pt Screw Together; Anodized Top Tube	120"	120"	255"	10.0'	12'	31.0
*** A1100-065S	Coaxial Screw Together Non-EPA CFR 40	65"	82"	162"	5.6'	8'	21.9
*** A1100-066S	Coaxial Screw Together Non-EPA CFR 40	65"	94"	174"	5.5'	10'	24.7
*** A1100-067S	Coaxial Screw Together Non-EPA CFR 40	65"	120"	200"	5.3'	12'	22.5
*** A1100-085S	Coaxial Self-Sealing Screw Together	65"	82"	162"	5.4'	8'	23.0
*** A1100-086S	Coaxial Self-Sealing Screw Together	65"	94"	174"	5.3'	10'	26.3
*** A1100-087S	Coaxial Self-Sealing Screw Together	65"	120"	200"	5.1'	12'	28.0
*** A1100-087E	Coaxial Self-Sealing Screw Together E85	65"	120"	200"	5.1'	12'	28.0

The A1100 Overfill Prevention Valve is not recommended for tanks under 6.5' in diameter.

Maximum burial depth assumes 95% shut-off and 6" clearance between top of drop tube and inside bottom of containment manhole lid.

OPV systems can be ordered as a package with a fill cap and fill adapter. Contact Customer Service for ordering information. Custom lengths available.

* **SRF variants are designed for precise burial depth of 46"-54"; tank top access required.** For additional applications and installation instructions, call Customer Service at 800-234-4394.

** Phase I EVR E.O. VR-105

*** A1100 Coaxial variants are not compatible with the Emco 494096 Riser Seal.

