



# Service Guide

→ 9968  
9968-A  
9968-M

## Low-Pressure Stub Pump

### Description

The major components of the stub pumps in the model 9968 series consists of an air-operated motor and a pump tube. The air motor connects directly to a double-acting reciprocating pump tube. These low-pressure stub pumps (5:1 ratio) are designed to deliver all grades of oil.

### Pump Extensions

Extensions that screw directly into the pump's fluid inlet allow the pump to accommodate different size drums and tanks. Extensions are accessory items and are not included with the pump. See Table 2.

### Models 9968 Series Comparison

Model 9968 and 9968-M \* include a 2 " NPTF (m) bung adapter that allows installation directly onto original containers or bulk tanks. The bung adapter is not included with model 9968-A.

\* Model 9968-M contains components (See Table 1) manufactured with BSPT(P) thread connections that include:

- air motor model 339413-A1
- a fluid outlet adapter in the pump tube's body

### Specifications

#### Air Motor

Air Motor Model	Piston Dia. x Stroke		Air Inlet	Maximum Air Pressure	
	in.	cm		psi	bar
339413	3 x 3-5/16	7.6 x 8.4	1/4 " NPTF (f)	150	10.3
339413-A1			1/4 " BSPT (f)		

For details on the air motors, refer to Service Guide SER 339413

#### Pump Tube

Pump Model	Fluid Outlet in Body	Max. Fluid Pressure		Delivery/Min. (Approximate)*		Displacement per Cycle	
		psi	bar	gals	liters	in <sup>3</sup>	cm <sup>3</sup>
9968, 9968-A	1/2 " NPTF (f)	750	52	7	26.5	7.2	118
9968-M	1/2 " NPTF (f) **						

\* For detailed information, refer to Figure 3  
\*\* Includes a 1/2 " BSPP (f) x 1/2 " NPTF (m) fluid outlet adapter

Table 1 Low-Pressure Stub Pump Specifications

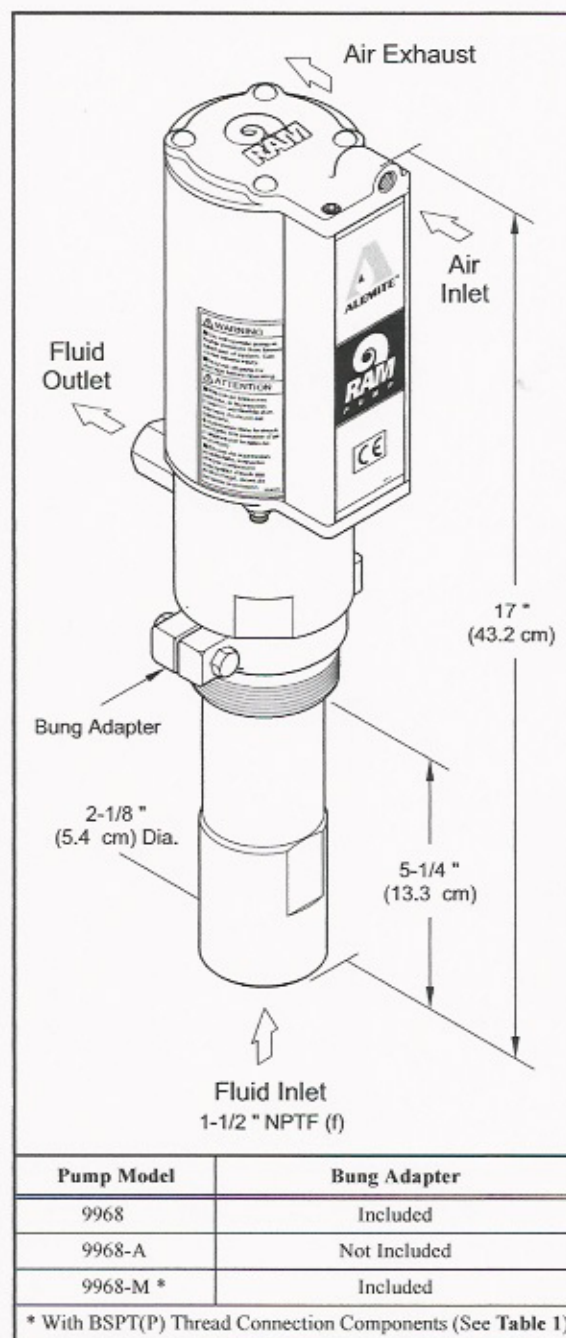


Figure 1 Stub Pump Model 9968 Series Model 9968-M Shown

Alemite, LLC  
167 Rowland Drive, Johnson City, Tennessee 37601  
www.alemite.com

Copyright © 2010 by Alemite, LLC

This document contains confidential information that is the property of Alemite, LLC and is not to be copied, used, or disclosed to others without express written permission.