



OMNTEC
Advanced Tank Monitoring & Leak Detection

PROTEUS®

MAGNETOSTRICTIVE TANK GAUGING PROBE

The magnetostrictive tank-gauging (MTG-RS-R5(X) Series) probe utilizes magnetostrictive technology to provide users with the same level of reliability, durability, and cost-effectiveness they expect with all OMNTEC products. The MTG probe used with OMNTEC's tank gauging controllers monitors product levels, water levels and temperature in both underground and aboveground tank applications.

The MTG probe monitors the following conditions: high-product level, low-level product level and high-water level. To provide the greatest flexibility of use, the probe's shaft is stainless steel and the floats are available in a variety of materials and sizes. Other major benefits of OMNTEC's MTG probe is that it comes in a number of lengths and in a flexible-shaft option. The number in the probe part number indicates the shaft length and corresponds to tank diameter.

The MTG probe is ruggedly constructed to provide reliable and cost-effective performance.

OMNTEC Mfg., Inc. has been certified by DQS Inc. to ISO 9001:2015; Registration Number 10017970.

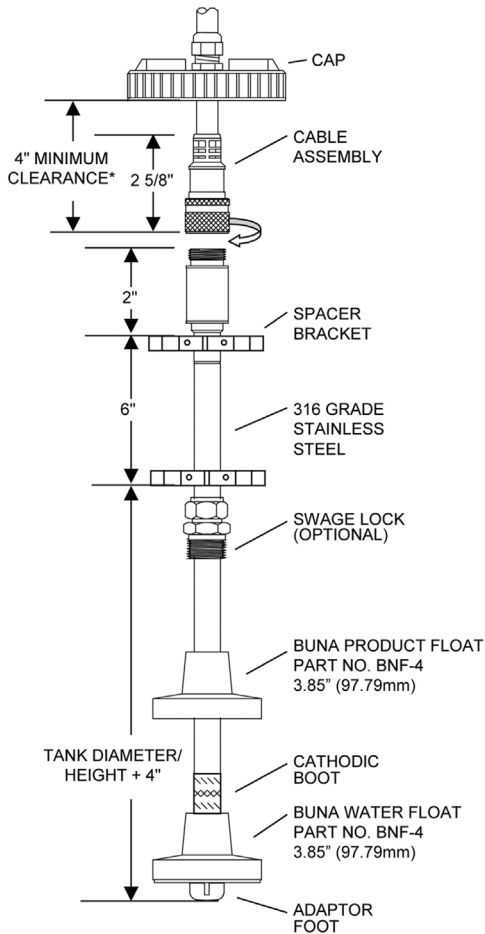


RELIABLE & DURABLE

FEATURES

- Patented reflection technique for reliability
- Durable tube-in-tube construction
- High signal-to-noise ratio
- Fast, accurate update
- Float options
- Custom lengths
- Intrinsically safe
- Cost-effective
- Flexible shaft (optional)

MAGNETOSTRICTIVE TANK GAUGING PROBE



SPECIFICATIONS	
Enclosure (probe):	NEMA 4, IP68
Input Power:	28 VDC +/- 10%
Probe Length:	Up to 24 feet (7.3m) Consult factory for lengths over 24 feet.
Accuracy:	0.010 inches (0.2540mm) inventory mode 0.001 inches (0.0254mm) leak-detection mode
Linearity:	+/- 0.01% of full scale or +/- 0.010 inches (0.254mm), whichever is greater
Repeatability:	+/- 0.001% of full scale or +/- 0.00025 inches (.00635mm), whichever is greater
Temperature Measurement:	6 temperature-sensing devices
Temperature Accuracy:	+/- 0.9 ° F from 14 ° F to +185 ° F +/- 0.5 ° C from -10 ° C to +85 ° C
Temperature Measurement Resolution:	+/- 0.01 ° F (.00556 ° C)
Temperature Sensing Range:	-40 ° to 150 ° F (-40 ° C to 66 ° C)
Operating Temperature Range:	-40 ° to 160 ° F (-40 ° C to 71 ° C)
Probe Output:	Digital over 2 wires
Distance to Monitor:	Probe cable must be EC-2 (Belden #8761) up to 1,000 feet (305m). Consult factory for lengths over 1,000 feet.
Pressure Rating:	Up to 500 psi (35Kg/cm2) (float-dependent)
Floats:	Specs based on 4-inch standard
Compatible Controllers:	OEL8000 & OEL8000II PROTEUS Series: OEL8000III-B, OEL8000III-K, OEL8000III-X
Weight:	19 lb. (8.62kg) (approximated based on packaged 10ft. probe)
Accessories:	SL-34 Swage lock (probe-head isolation for chemical applications) 2" Float Kit Options Kit includes: float(s), 6' yellow cable, spacers, 2" cap, SK-4 sealing kit, white clips and cathodic boot BFK2-85 2" Buna N float kit for gas BFK2-95 2" Buna N float kit for diesel BFK2-OWS 2" Buna N float kit for OWS tanks BFK2-SF 2" Buna N float kit single float SSFK2-85 2" 316 stainless steel float kit for gas SSFK2-95 2" 316 stainless steel float kit for diesel SSFK2-SF 2" 316 stainless steel float kit single float 4" Float Kit Options Kit includes: float(s), 6' yellow cable, spacers, 4" cap, SK-4 sealing kit, white clips and cathodic boot BFK4-85 4" Buna N float kit for gas BFK4-95 4" Buna N float kit for diesel BFK4-OWS 4" Buna N float kit for OWS tanks BFK4-SF 4" Buna N float kit single float SSFK4-85 4" 316 stainless steel float kit for gas SSFK4-95 4" 316 stainless steel float kit for diesel SSFK4-SF 4" 316 stainless steel float kit single float
Approvals:	UL-listed, CUL-listed, CE-listed

Specifications subject to change without notice, verify with manufacturer.

 **OMNTEC**
 OMNTEC Mfg., Inc.
 2420 Pond Road,
 Ronkonkoma, NY 11779
 +1.631.981.2001
 +1.631.981.2007
 omntec@omntec.com
 www.omntec.com

No. 900194 rev1946 NC

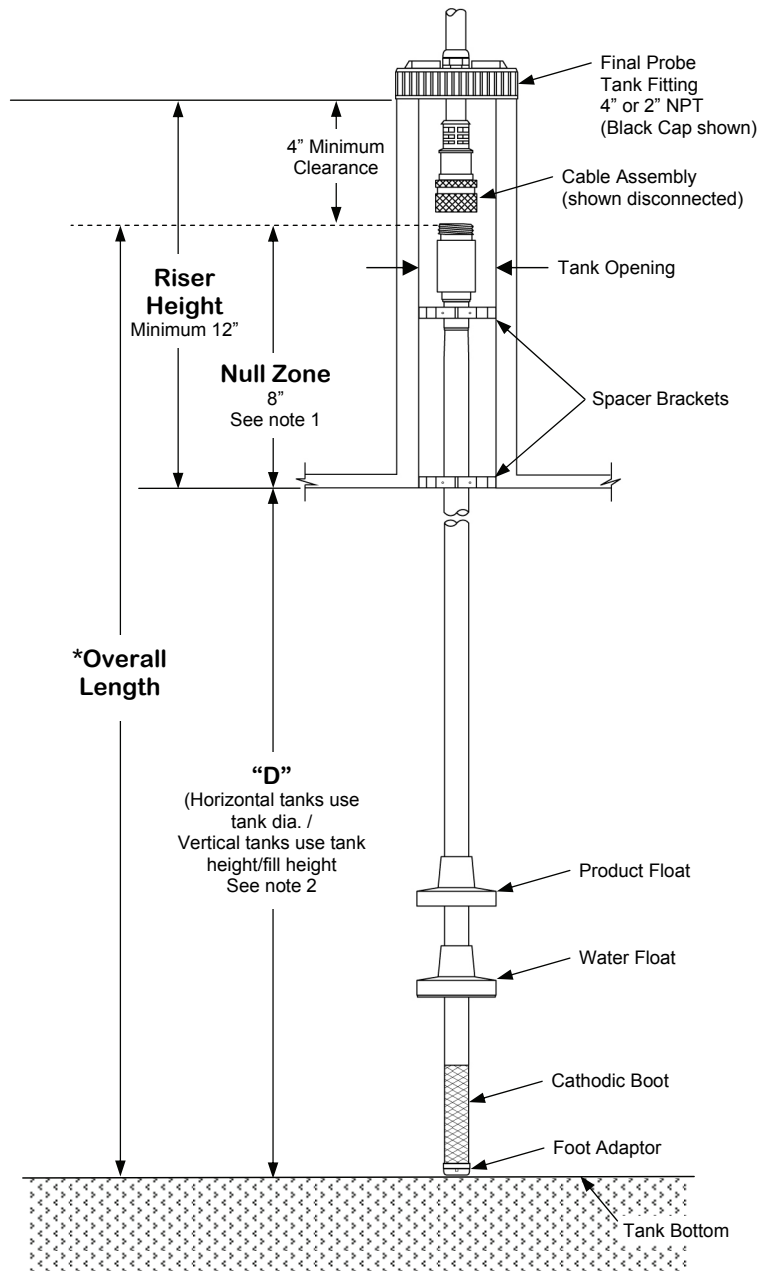
MTG SERIES PROBE DIMENSION

APPROVAL SHEET 5 TEMPERATURE LEVEL PROBE

CUSTOMER
PO#
EL#
SHIP DATE
QUANTITY
PRODUCT
<p style="text-align: center;">FLOATS</p> <input type="checkbox"/> 1 Float (product only) <input type="checkbox"/> 2 Floats (product and water)
<p style="text-align: center;">TANK OPENING</p> <input type="checkbox"/> 2 Inch <input type="checkbox"/> 4 Inch

DIMENSIONS SUPPLIED BY CUSTOMER
<p>D = <input style="width: 60px; height: 20px;" type="text"/></p> <p><i>Round "D" dimension to the nearest inch</i></p>

***Overall Length = "D" dimension + 12"**



Note 1: Level can not be detected within the dead band or null zone.
 Note 2: Temperature sensors are spaced equally over range specified.

Name: _____ Company: _____
 Signature: _____ Date: _____

IMPORTANT: The signature above confirms the buyer's acceptance of all the dimensions contained in this document and authorizes OMNTEC to release order for production. Custom parts are non cancellable and non returnable.

Note: Current published specifications are subject to change without notification. Verify specifications with manufacturer.