

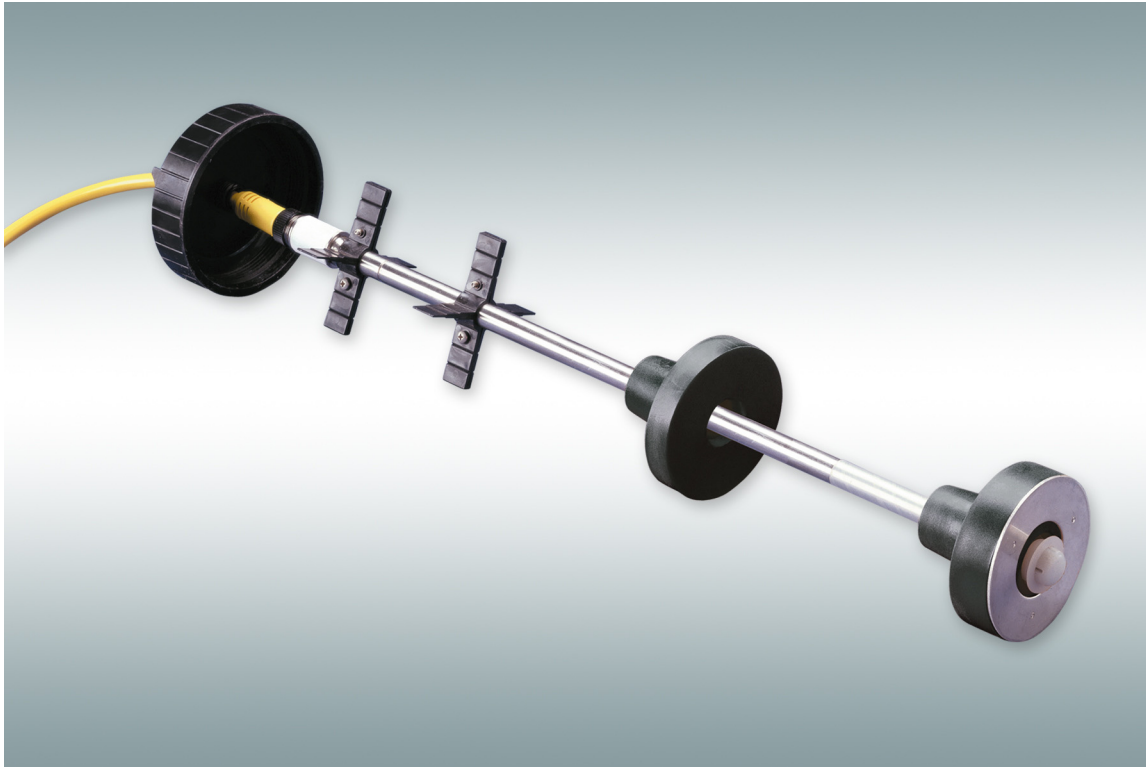


OMNTEC

Advanced Tank Monitoring & Leak Detection

Magnetostrictive Tank Gauging Inventory Only Probe

Part Number: **MTG-V**



Description

The magnetostrictive tank-gauging (MTG-V) probe utilizes magnetostrictive technology to provide users with the same level of reliability, durability and cost-effectiveness they expect with all OMNTEC products. The MTG-V probe used with the PROTEUS-B, PROTEUS-K, and PROTEUS-X monitors product levels, water levels and temperature in both underground and above ground tank applications.

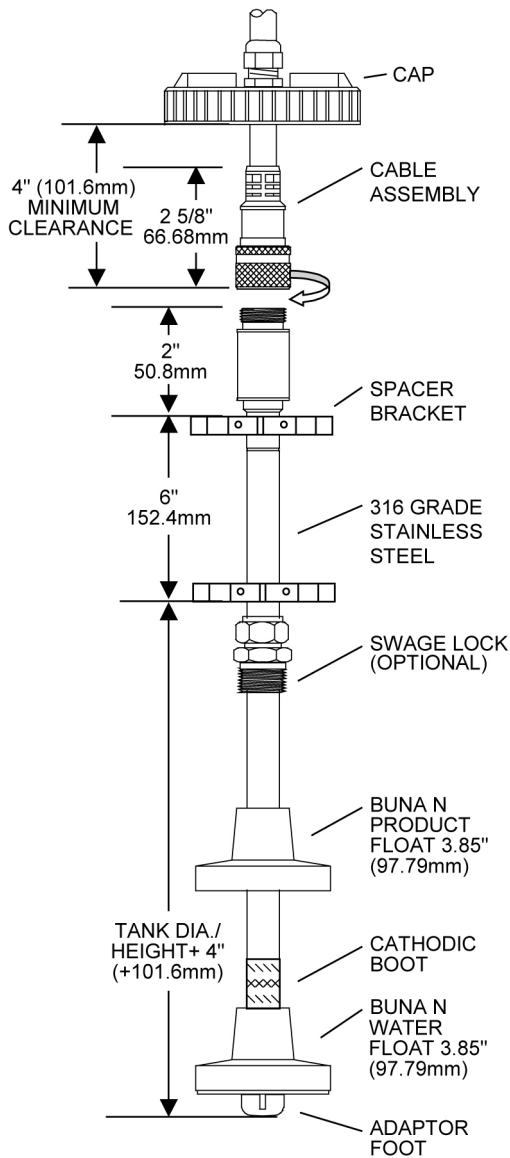
The MTG-V probe monitors the following conditions: high-product level, low-product level and high-water level. To provide the greatest flexibility of use, the probe's shaft is stainless steel and the floats are available in a variety of materials and sizes. Other major benefits of OMNTEC's MTG-V probe is that it comes in a number of lengths and in a flexible-shaft option. The number in the probe part number indicates the shaft length and corresponds to tank height.

The MTG-V probe is ruggedly constructed to provide reliable and cost-effective performance.

Features

- Patented reflection technique for reliability
- Durable tube-in-tube construction
- High signal-to-noise ratio
- Fast, accurate update
- Float options
- Custom lengths
- Intrinsically safe
- Cost-effective
- Flexible shaft (optional)
- UL-listed, CUL-listed, CE-listed

Magnetostrictive Tank Gauging Inventory Only Probes Part No. MTG-V



Specifications	
Enclosure (probe):	NEMA 4 IP68
Input Power:	28 VDC +/-10%
Probe Length:	Up to 24 feet Consult factory for lengths over 24 feet.
Accuracy:	0.010 inches inventory mode
Linearity:	+/- 0.01% of full scale or +/- 0.010 inches, whichever is greater
Repeatability:	+/- 0.001% of full scale or +/- 0.00025 inches, whichever is greater
Temperature Measurement:	1 temperature-sensing device
Temperature Accuracy, Absolute:	+/- 2° F
Temperature Measurement Resolution:	+/- 0.01° F
Temperature Sensing Range:	-40 to 150° F
Operating Temperature Range:	-40 to 160° F
Probe Output:	Digital over 2 wires
Distance to Monitor:	Probe cable must be EC-2 (Belden #8761) up to 1,000 feet. Consult factory for lengths over 1,000 feet.
Pressure Rating:	Up to 500 psi (float-dependent)
Floats:	Specs based on 4-inch standard
Compatible Controllers:	OEL8000II PROTEUS Series OEL8000III-B, OEL8000III-K, OEL8000III-X
Accessories:	SL-34 Swage lock (probe-head isolation for chemical applications) SSF-4 3.85-inch stainless-steel float kit SSF-2 1.83-inch stainless-steel float kit BNF-4 3.85-inch Buna N float kit BNF-2 1.87-inch Buna N float kit
Approvals:	UL-listed, CUL-listed, CE-listed

Specifications subject to change without notice, verify with manufacturer.



OMNTEC

2420 Pond Road
Ronkonkoma, NY 11779

+1.631.981.2001

+1.631.981.2007

omntec@omntec.com

www.omntec.com

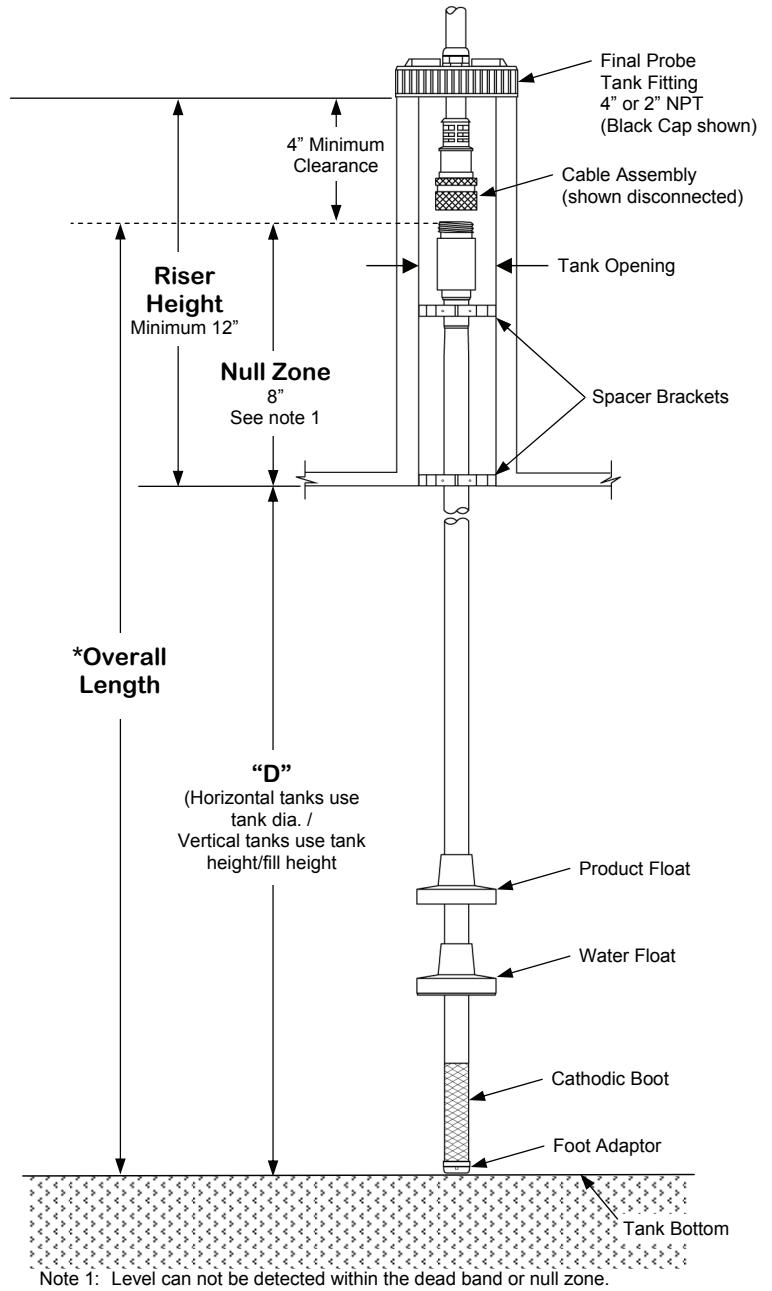
MTG-V SERIES PROBE DIMENSION

APPROVAL SHEET INVENTORY ONLY PROBE

CUSTOMER
PO#
EL#
SHIP DATE
QUANTITY
PRODUCT
FLOATS
<input type="checkbox"/> 1 Float (product only) <input type="checkbox"/> 2 Floats (product and water)
TANK OPENING
<input type="checkbox"/> 2 Inch <input type="checkbox"/> 4 Inch

DIMENSIONS SUPPLIED BY CUSTOMER
D = <input style="width: 60px; height: 20px;" type="text"/>
<i>Round "D" dimension to the nearest inch</i>

***Overall Length = "D" dimension + 12"**



Name: _____ Company: _____

Signature: _____ Date: _____

IMPORTANT: The signature above confirms the buyer's acceptance of all the dimensions contained in this document and authorizes OMNTEC to release order for production. Custom parts are non cancellable and non returnable.

Note: Current published specifications are subject to change without notification. Verify specifications with manufacturer.