

MTG-F SERIES PROBE DIMENSION

APPROVAL SHEET

CUSTOMER
PO#
EL#
SHIP DATE
QUANTITY
PRODUCT
<p style="text-align: center;">FLOATS</p> <input type="checkbox"/> 1 Float (product only) <input type="checkbox"/> 2 Floats (product and water) See note 3
<p style="text-align: center;">TEMPERATURE SENSORS</p> <input type="checkbox"/> 1 Temperature sensor (MTG-F-R1) <input type="checkbox"/> 5 Temperature sensors (MTG-F-R5)

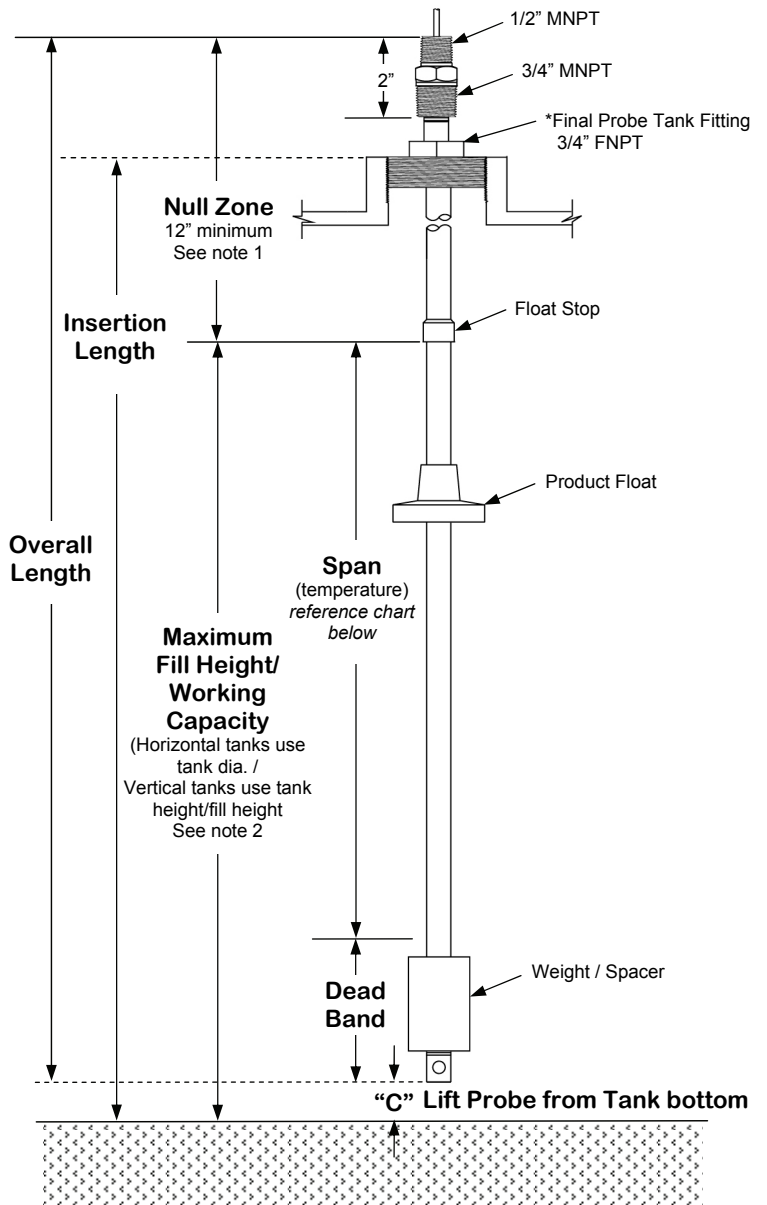
DIMENSIONS SUPPLIED BY CUSTOMER	
Insertion Length =	
Maximum Fill Height/Working Capacity =	
<i>Note: Overall length minus maximum fill height/working capacity must be equal to or greater than 12".</i>	

Overall Length = Insertion Length - "C" + 1"

Overall Length	Weight 2" diameter	Dead Band	Weight or Spacer	"C"
Up to 144"	W2-144	5"	6"	Spacer 1"
145" – 288"	W2-288	7"	8"	Weight 2"
289" – 432"	W2-432	11"	12"	Weight 3"
433" – 600"	W2-600	14"	15"	Weight 4"
601" – 720"	W2-720	16"	17"	Weight 5"
721" – 840"	W2-840	18"	19"	Weight 6"

Thermometer Spacing
Span = Max Fill Height/Working Capacity - Dead Band - "C"

Probe Type	Overall Probe Length	Thermistor Spacing @ 24°C
MTG-F-R5	$L \leq 144"$	$(\text{Span} + 7")/6$
MTG-F-R5	$145" \leq L \leq 288"$	$(\text{Span} + 10")/6$
MTG-F-R5	$289" \leq L \leq 432"$	$(\text{Span} + 15")/6$
MTG-F-R5	$433" \leq L \leq 600"$	$(\text{Span} + 19")/6$
MTG-F-R5	$601" \leq L \leq 720"$	$(\text{Span} + 22")/6$
MTG-F-R5	$721" \leq L \leq 840"$	$(\text{Span} + 25")/6$



Note 1: Level can not be detected within the dead band or null zone.
 Note 2: Temperature sensors are spaced equally over range specified.
 Note 3: For dual float probes with overall length greater than 288", a float spacer will be required between two floats.
 *Supplied by others

Name: _____ Company: _____

Signature: _____ Date: _____

IMPORTANT: The signature above confirms the buyer's acceptance of all the dimensions contained in this document and authorizes OMNTEC to release order for production. Custom parts are non cancellable and non returnable.
 Note: Current published specifications are subject to change without notification. Verify specifications with manufacturer.



OMNTEC
Advanced Tank Monitoring & Leak Detection

Magnetostrictive Tank Gauging Probe Flexible for Tank Inventory Monitoring

Part Number: **MTG-FL-R5FXJ**
Series

(5 Temperature Sensors)

MTG-FL-R1FXJ
Series

(1 Temperature Sensor)

(X) indicates how many floats probe can accept (1 or 2)

Description

The MTG-FL Series stick flex probe takes field proven magnetostrictive technology and packages it in a revolutionary new way for greater reliability, easy installation, and mounting. The MTG-FL Series is ideal for liquid level monitoring of product and interface level in a wide variety of liquid media in both above ground and below ground storage tanks.

All electronics are integrated into a 5/8" diameter Kynar® sensing tube. The MTG-FL Series is equipped with a threaded fitting and 6' cable.

This break through in package design eliminates the bulky electronics enclosure at the top of the probe and offers you greater options for insertion and mounting in tanks and vessels. The MTG-FL Series employs a flexible Kynar® housing and provides a cost-effective level monitoring in deep tanks.

The MTG-FL Series lower cost design provides more options, offers savings on installation and mounting and has the ultimate in "designed-in" reliability.

Features

- Low-Cost Magnetostrictive Design with Electronics Integrated into 5/8" Sensing Tube
- High Resolution and Accuracy
- UL, Intrinsically Safe
- Flexible Kynar®
- Float Options
- No Calibration Required

**Proven
Magnetostrictive
Sensing Performance
in a Revolutionary
New Package!**

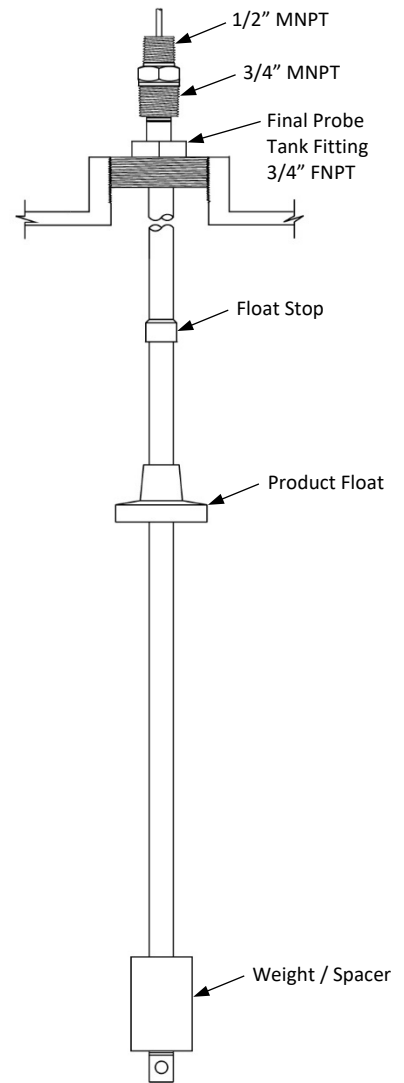


Flexible Magnetostrictive Tank Gauging Probe

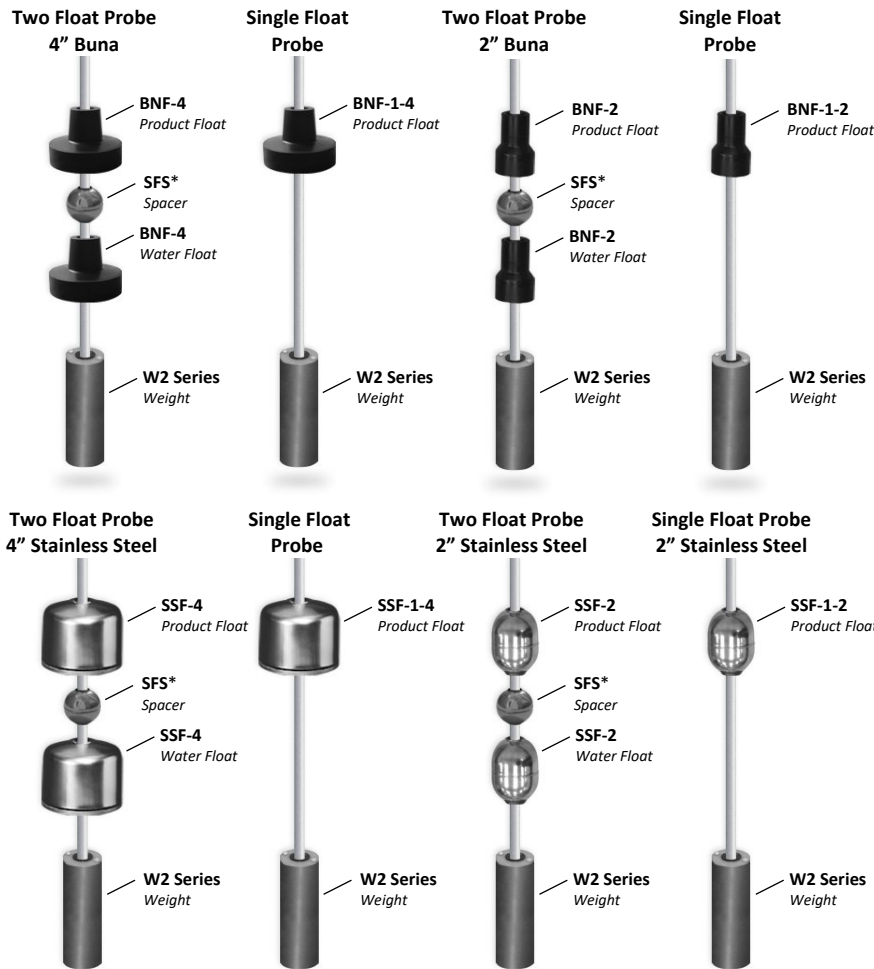
Part No. MTG-FL Series

SPECIFICATIONS	
Input Voltage	23 – 28 VDC
Probe Length	Up to 70'
Resolution	0.010"
Linearity	+/- 0.01% of full scale +/- 0.010", whichever is greater
Repeatability	+/- 0.001% of full scale +/- 0.00025", whichever is greater
Temperature Measurement	Up to five along the probe span
Temperature accuracy, Absolute	+/- 2°F
Temperature Measurement, Resolution	+/- 0.01 °F
Temperature Sensing Range	-40°F to +150°F
Operating Temperature Range	-40°F to + 160°F
Probe Output	Pulse Position Modulated Digital
Distance to Monitor	1000' using Belden 8761
Deadband / Null	see Dimension Approval Sheet
Compatible Controllers:	OEL8000II / PROTEUS Series: OEL8000III-B, OEL8000III-K, OEL8000III-X
Floats	Specs based on 4" standard urethane BNF-1-4 4" Buna Product Float BNF-4 4" Buna Float Set BNF-1-2 2" Buna Product Float BNF-2 2" Buna Float Set SSF-1-4 4" Stainless Steel Product Float SSF-4 4" Stainless Steel Float Set SSF-1-2 2" Stainless Steel Product Float SSF-2 2" Stainless Steel Float Set
Weight	W2 Series (see chart below)
Accessories	SFS Stainless Steel Float Spacer required on probe lengths 288" or greater
Listings	UL, intrinsically safe when used in accordance with OEL8000II/OEL8000III control drawing
Bend Radius	Not to exceed 3' during installation

Specifications subject to change without notice, verify with manufacturer.



FLOAT OPTIONS



W2 SERIES WEIGHT			
Overall Length	Weight Part No.	Dimensions (2" diameter)	Weight or Spacer
Up to 144"	W2-144	5" (h)	Spacer
145" – 288"	W2-288	7" (h)	Weight
289" – 432"	W2-432	11" (h)	Weight
433" – 600"	W2-600	14" (h)	Weight
601" – 720"	W2-720	16" (h)	Weight
721" – 840"	W2-840	18" (h)	Weight



OMNTEC

2420 Pond Road
 Ronkonkoma, NY 11779
 +1.631.981.2001
 +1.631.981.2007
 omntec@omntec.com
 www.omntec.com

Note: For dual float probes with overall length greater than 288", a float spacer will be required between two floats.

Document No. 900166 rev2241.docx Rev Date: 10-12-2022