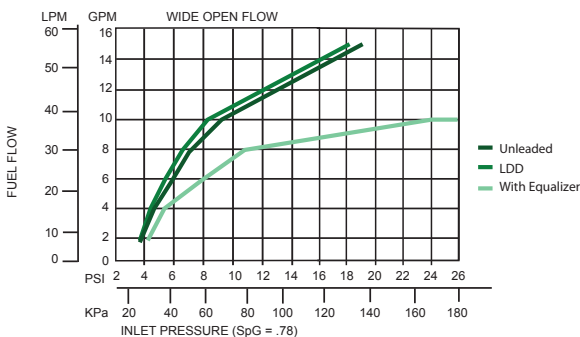


## Pressure activated, automatic shut-off nozzle for full-service and self-service stations.

- XS<sup>®</sup> nozzle shuts off when:
  - the pump shuts off.
  - the gas tank is full.
  - the lever is opened before the pump is turned on.
  - the leak detector has not completed the test cycle.
- *StreamShaper*<sup>®</sup> reduces turbulence for straighter fuel flow and less splash back spillage.
- Comes standard with smooth full grip guard.
- Optional EZ Lever:
  - two piece design cuts opening force in half
  - easier “to-the-penny” dispensing
  - ADA compliant
- Stainless steel spout bushing keeps spout tip round and acts as a captive fastener to prevent tip-end sensor damage.
- Nozzle is equipped with a unique Flo-Stop<sup>®</sup> device that shuts off the nozzle if it falls from the fill tank or raises above the horizontal.



### New Unleaded Nozzles

MODEL	DESCRIPTION	SHIPPING WEIGHT LBS (KG)
159504	with Three Notch Hold Open Clip	3.1 (1.4)
E159504	with Three Notch Hold Open Clip	3.1 (1.4)
159508	w/o Hold Open Clip	3.1 (1.4)
E159508	with Hold Open Clip	3.1 (1.4)
159543	with Single Notch Hold Open Clip and Waffle Splash Guard	3.1 (1.4)
159544	with Three Notch Hold Open Clip, Waffle Splash Guard and Flo-Equalizer <sup>®</sup>	3.2 (1.4)
159554	with Three Notch Hold Open Clip and Flo-Equalizer <sup>®</sup>	3.1 (1.4)
159558	w/o Hold Open Clip with Flo-Equalizer <sup>®</sup>	3.1 (1.4)
159559	with Three Notch Hold Open Clip and Waffle Splash Guard	3.0 (1.3)
159566	w/o Hold Open Clip with Waffle Splash Guard	3.0 (1.3)
159575	w/o Hold Open Clip with 1807 Waffle Splash Guard	3.0 (1.3)
159576	with Three Notch Hold Open Clip and Waffle Splash Guard	3.0 (1.3)
159579	w/o Hold Open Clip with 1807 Waffle Splash Guard	3.0 (1.3)
159582	with Three Notch Hold Open Clip and Drip Less Spout	3.0 (1.3)
159589	with Single Notch Hold Open Clip, POPD <sup>®</sup> S and Waffle Splash Guard	3.0 (1.3)
159595	with Three Notch Hold Open Clip, POPD <sup>®</sup> S and Waffle Splash Guard	3.1 (1.4)
1302704	with Three Notch Hold Open Clip with GPR	3.1 (1.4)
1302708	w/o Hold Open Clip with GPR	3.1 (1.4)
1595106	with Two Notch Hold Open Clip	3.0 (1.3)
1595108	w/o Hold Open Clip, with POPD <sup>®</sup> S and Waffle Splash Guard	3.0 (1.3)
1595128	w/o Hold Open Clip and Spout Spring, with Waffle Splash Guard	3.0 (1.3)
1595131	w/o Hold Open Clip and Spout Spring, w/POPD <sup>®</sup> H and Waffle Splash Guard	3.1 (1.4)
1595146	with Three Notch Hold Open Clip, POPD <sup>®</sup> H and Waffle Splash Guard	3.1 (1.4)
1120504	with Two Notch Hold Open Clip and EZ Lever	3.1 (1.4)
13027186	w/o Hold Open Clip and Spout Spring, with Waffle Splash Guard with GPR	3.0 (1.3)

### New Light Duty Diesel Nozzles

MODEL	DESCRIPTION	SHIPPING WEIGHT LBS (KG)
159503	with Three Notch Hold Open Clip	3.1 (1.4)
E159503	with Three Notch Hold Open Clip	3.1 (1.4)
159507	w/o Hold Open Clip	3.1 (1.4)
E159507	w/o Hold Open Clip	3.1 (1.4)
159545	with Three Notch Hold Open Clip, Waffle Splash Guard and Flo-Equalizer	3.2 (1.4)
159553	with Three Notch Hold Open Clip and Flo-Equalizer <sup>®</sup>	3.1 (1.4)
159557	w/o Hold Open Clip with Flo-Equalizer <sup>®</sup>	3.1 (1.4)
159561	with Three Notch Hold Open Clip and Waffle Splash Guard	3.0 (1.3)
159567	w/o Hold Open Clip with Waffle Splash Guard	3.1 (1.4)
159577	with Single Notch Clip, POPD <sup>®</sup> and Waffle Splash Guard	3.3 (1.4)
159578	with Three Notch Hold Open Clip and Waffle Splash Guard	3.3 (1.4)
159580	w/o Hold Open Clip with 1807 Waffle Splash Guard	3.1 (1.4)
159585	with Single Notch Hold Open Clip, Waffle Splash Guard and Flo-Equalizer <sup>®</sup>	3.1 (1.4)
159596	with Three Notch Hold Open Clip, POPD <sup>®</sup> and Waffle Splash Guard	3.3 (1.4)
159597	with Single Notch Hold Open Clip and Waffle Splash Guard	3.1 (1.4)
1595109	w/o Hold Open Clip, with POPD <sup>®</sup> S and Waffle Splash Guard	3.1 (1.4)
1595122	with Three Notch Hold Open Clip, POPD <sup>®</sup> H and Waffle Splash Guard	3.1 (1.4)
1595127	w/o Hold Open Clip and Spout Spring, w/POPD <sup>®</sup> H and Waffle Splash Guard	3.1 (1.4)
1595130	w/o Hold Open Clip and Spout Spring, with Waffle Splash Guard	3.1 (1.4)
1595135	with Three Notch Hold Open Clip and StreamShaper <sup>®</sup>	3.1 (1.4)
1595137	with Three Notch Hold Open Clip, Waffle Splash Guard and StreamShaper <sup>®</sup>	3.1 (1.4)
1120503N <sup>^</sup>	with Two Notch Hold Open Clip and EZ Lever	3.1 (1.4)

<sup>^</sup>Not Listed

### Construction

Body	One piece die cast aluminum
Seals	Fluorocarbon
Packing	Double o-ring seal protected by fiber reinforced Teflon <sup>®</sup>
Lever	One piece contoured steel with hard plastic cover
Inlet	3/4" / 19.1 mm NPT



Pressure activated, automatic shut-off nozzle for full-service and self-service stations.

## Dimensions and System Options

### Safe-T-Breaks<sup>®</sup>

MODEL NO.	DESCRIPTION
003360	¾" F x ¾" F NPT Reconnectable Safe-T-Break <sup>®</sup>
002273	¾" F x ¾" F NPT Non-Reconnectable Safe-T-Break <sup>®</sup>
006130	¾" F x ¾" F NPT Non-Reconnectable PCC Safe-T-Break <sup>®</sup>
005230	¾" F x ¾" F NPT Low Pull Reconnectable Safe-T-Break <sup>®</sup>

### Swivels

MODEL NO.	DESCRIPTION
000350	¾" M x ¾" F NPT Multi-Plane Swivel
000350W	¾" M x ¾" F NPT Multi-Plane Swivel with Warm Weather Seals
000355	¾" M x ¾" F NPT Multi-Plane Swivel Anodized Black
002272	¾" M x ¾" F NPT 90° Pump Swivel
003895	¾" M x ¾" F NPT Inline Swivel
002950	¾" M x ¾" F NPT Multi-Plane Restricted Swivel

### Swivel/Safe-T-Break<sup>®</sup> Combos

MODEL NO.	DESCRIPTION
006310	¾" M NPT Multi-Plane Swivel connected to ¾" F NPT Reconnectable Safe-T-Break <sup>®</sup>

### Spouts

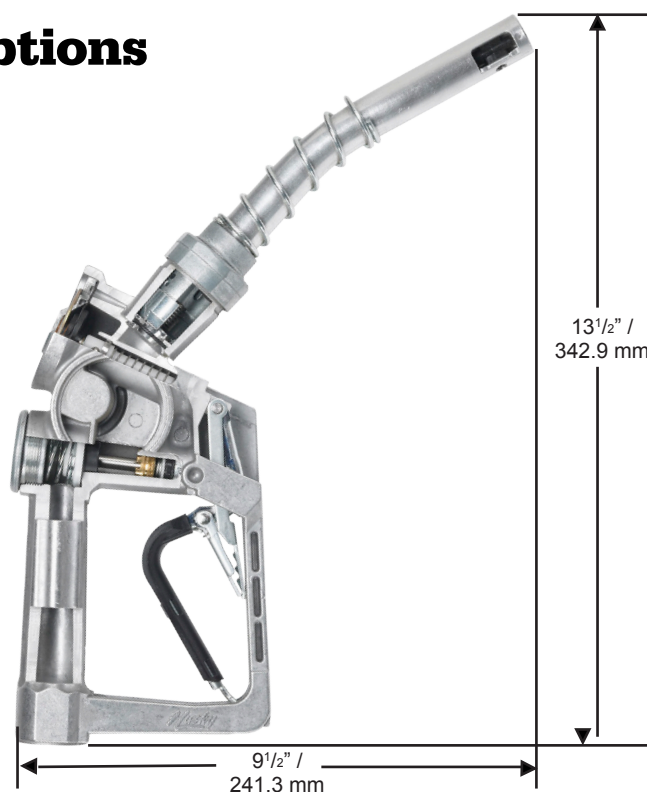
MODEL NO.	DESCRIPTION
001473	Unleaded Spout without Flo-Stop <sup>®</sup>
010434	Unleaded Long Spout without Flo-Stop <sup>®</sup>
001471	Light Duty Diesel Spout without Flo-Stop <sup>®</sup>
010353	Light Duty Diesel Long Spout without Flo-Stop <sup>®</sup>
008862	Light Duty Diesel Spout without Flo-Stop <sup>®</sup> with StreamShaper <sup>®</sup>

### Pressure/Vacuum Vents

MODEL NO.	DESCRIPTION
004620	2" Slip-On Pressure Vacuum Vent
004885	2" Thread-On Pressure Vacuum Vent - NPT
005885	2" Thread-On Pressure Vacuum Vent with Internal Screen - NPT

### Accessories, Testing and Maintenance

MODEL NO.	DESCRIPTION
004490	Conventional Flo-Equalizer <sup>®</sup> - 10 gpm / 37.9 Lpm
003593	Hold Open Clip Kit
007490	Internal Flo-Equalizer <sup>®</sup> - 10 gpm / 37.9 Lpm
007089	Nozzle Service Kit
000397	Unleaded Spout Gauge



### Guards

MODEL NO.	DESCRIPTION
003376	Black Handle Guard
004145	Full Grip Guard
001806	Full Grip Reguard
005494	Lever Guard
003440	Mate Easy-on Package
003795	Mate Guard
008176	POPD <sup>®</sup> EZH Nozzle Guard
008175	POPD <sup>®</sup> EZS Nozzle Guard
007999	POPD <sup>®</sup> H Clear Cover
008185	POPD <sup>®</sup> H Full Grip Guard
008192	POPD <sup>®</sup> H Full Grip Reguard
008166	POPD <sup>®</sup> H Mate Guard
006628	POPD <sup>®</sup> S Clear Cover
006665	POPD <sup>®</sup> S Full Grip Guard
007205	POPD <sup>®</sup> S Full Grip Reguard
008165	POPD <sup>®</sup> S Mate Guard
001506	Protection Package
001809	Reguard Protection Package
001808	Waffle Splash Guard