

Models 610X & 610XB Hose Retriever



SPECIFICATION SHEET

Application

The 610X hose retriever assembly suspends the fueling hose above the dispenser eliminating kinks and tangles while keeping the hose off the drive.

Features and Details

- Smooth operation—counterweight assemblies matched with specified hose diameters and lengths
- 360° rotating retriever head assists the operator in positioning the hose to the fueling point
- Easy to install—pre-cut post and all required components included
- Minimal maintenance—durable construction and minimal moving parts

Materials of Construction

- Retriever head... cast iron (e-coated black)
- Cable and connectors... stainless steel
- Pulley... aluminum
- Ball bearing swivel... stainless steel
- Mounting base... passivated aluminum with 3/8-16x2 3/4 stainless steel anchor bolt
- Post... aluminum schedule 40 (A) or powder coated black (B) optional
- Counterweights... steel
- Hose clamp... plastic (3/4" or 1" sizes) with stainless steel connector
- Adjustable stabilizer brackets... cast iron (zinc plated)

Item Number	Post	Hose I.D.	Hose Length	Counter Weight	Max Hose O.D.	Overall Height	Shipping Weight
610X--0100 AR	A	3/4"	12'-14'	10 lbs	1 1/8"	90"	27 lbs
610X--0300 AR	A	1"	12'-14'	14 lbs	1 3/8"	90"	31 lbs
610X--0500 AR	A	Coaxial	11'-13'	17 lbs	Coaxial	90"	34 lbs

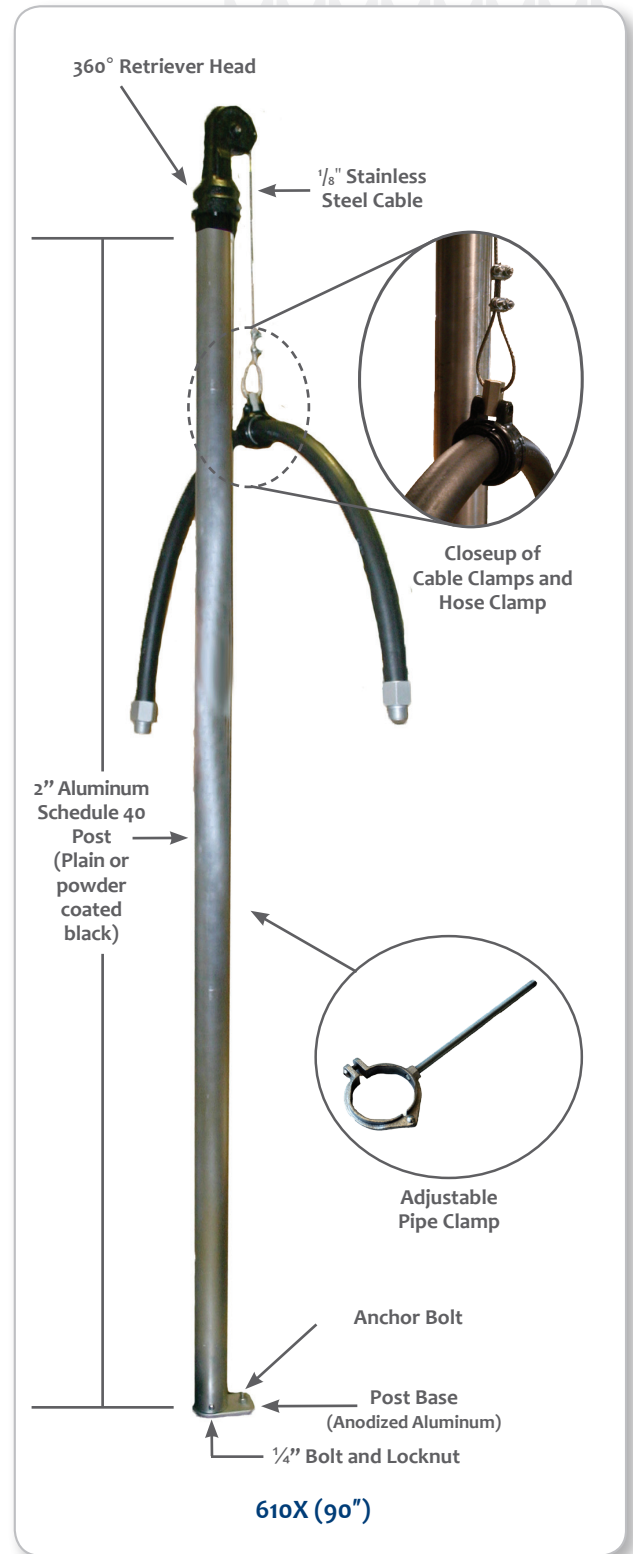
Hose clamps not included with the Coaxial model.

Item Number	Coated Post Option	Hose I.D.	Hose Length	Counter Weight	Max Hose O.D.	Overall Height	Shipping Weight
610X--0100 ARPB	B	3/4"	12'-14'	10 lbs	1 1/8"	90"	27 lbs
610X--0300 ARPB	B	1"	12'-14'	14 lbs	1 3/8"	90"	31 lbs
610X--0500 ARPB	B	Coaxial	11'-13'	17 lbs	Coaxial	90"	34 lbs

Hose clamps not included with the Coaxial model.

Note: Packaged in two boxes

Note: Hose not included.





Models 610X & 610XB Hose Retriever (continued)



SPECIFICATION SHEET

Item Number	Post	Hose I.D.	Hose Length	Counter Weight	Max Hose O.D.	Overall Height	Shipping Weight
610X--0200 AR	A	¾"	15'-20'	12 lbs	1⅝"	110"	31 lbs
610X--0400 AR	A	1"	15'-18'	17 lbs	1⅞"	110"	36 lbs

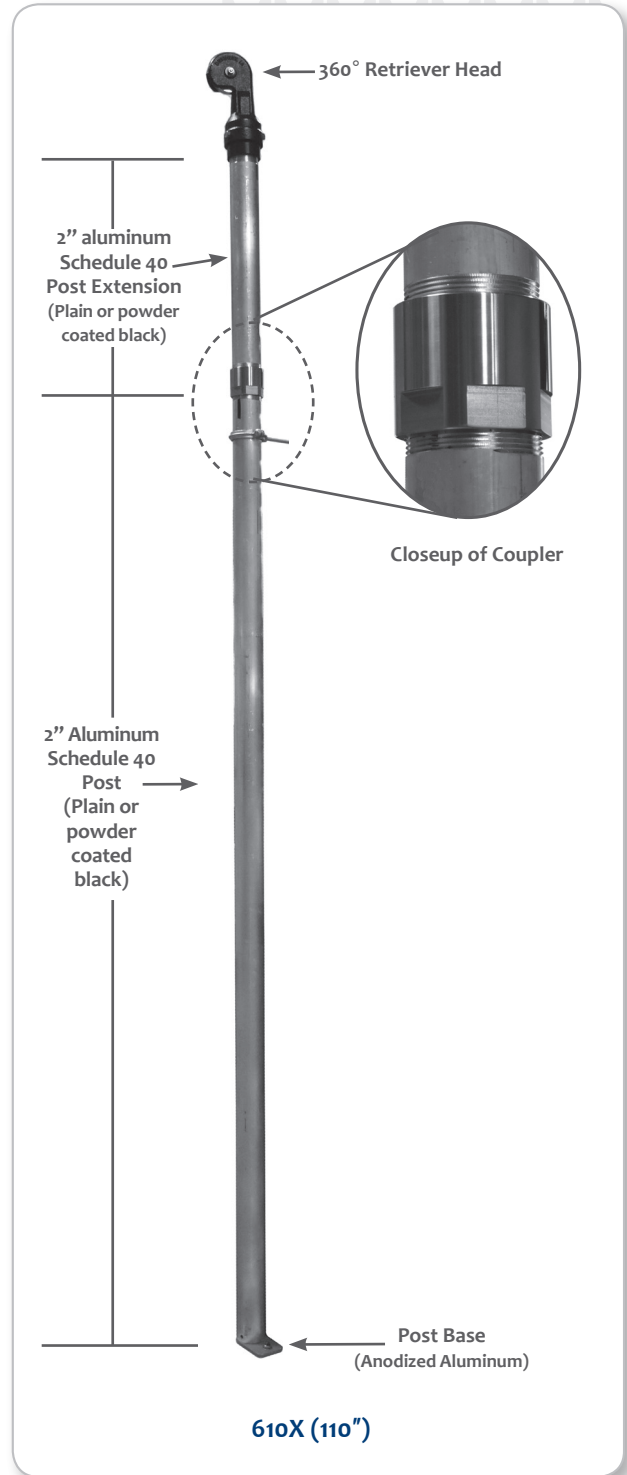
Hose clamps not included with the Coaxial model.

Item Number	Coated Post Option	Hose I.D.	Hose Length	Counter Weight	Max Hose O.D.	Overall Height	Shipping Weight
610X--0200 ARPB	B	¾"	15'-20'	12 lbs	1⅝"	110"	31 lbs
610X--0400 ARPB	B	1"	15'-18'	17 lbs	1⅞"	110"	36 lbs

Hose clamps not included with the Coaxial model.

Note: Packaged in two boxes

Note: Hose not included.



MORRISON BROS. CO.

570 E. 7th Street, P.O. Box 238 | Dubuque, IA 52004-0238

t. 563.583.5701 | 800.553.4840 | f. 563.583.5028

www.morbros.com



Application

The 610XB includes a square base (rather than the post base used in the 610X) and does not include an adjustable pipe clamp.

Item Number	Post	Hose I.D.	Hose Length	Counter Weight	Max Hose O.D.	Overall Height	Shipping Weight
610XB-0100 AR	A	3/4"	12'-14'	10 lbs	1 1/32"	90"	42 lbs
610XB-0300 AR	A	1"	12'-14'	14 lbs	1 3/8"	90"	46 lbs
610XB-0500 AR	A	Coaxial	11'-13'	17 lbs	Coaxial	90"	49 lbs

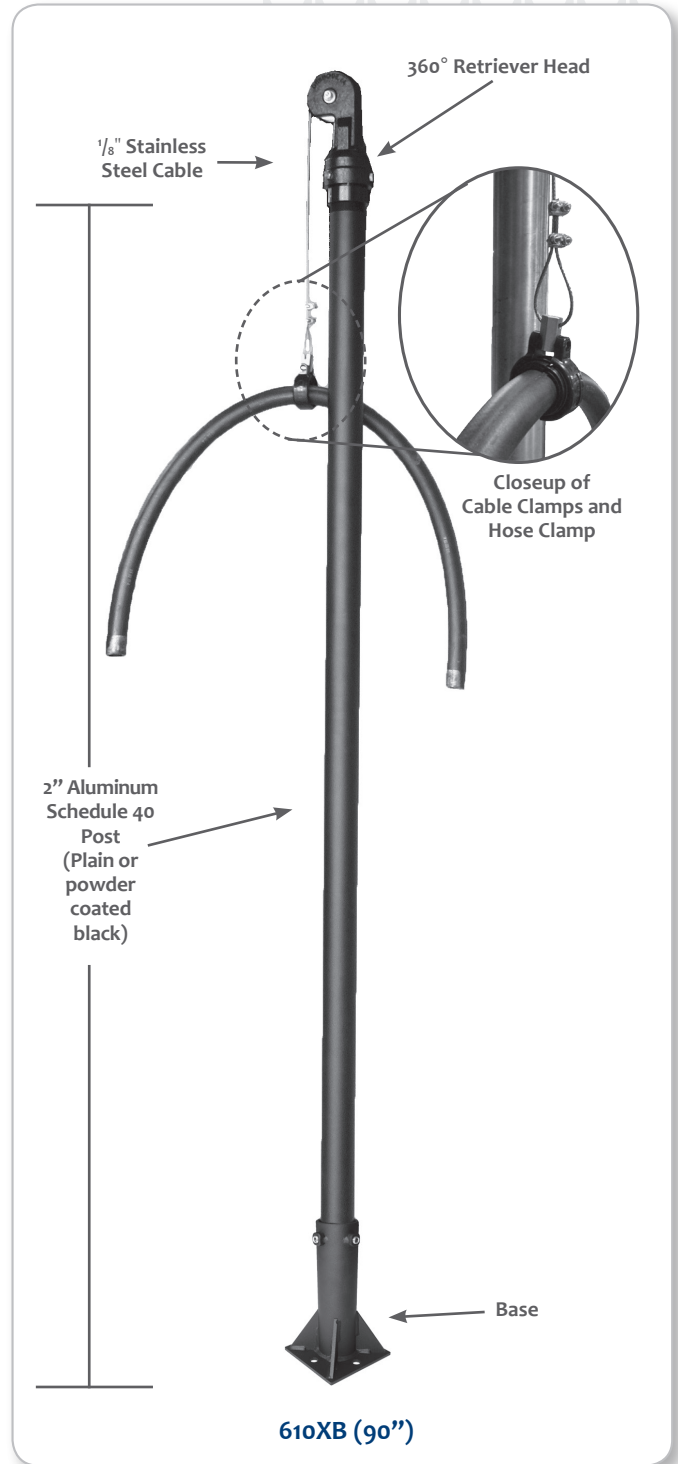
Hose clamps not included with the Coaxial model.

Item Number	Coated Post Option	Hose I.D.	Hose Length	Counter Weight	Max Hose O.D.	Overall Height	Shipping Weight
610XB-0100 ARPB	B	3/4"	12'-14'	10 lbs	1 1/32"	90"	42 lbs
610XB-0300 ARPB	B	1"	12'-14'	14 lbs	1 3/8"	90"	46 lbs
610XB-0500 ARPB	B	Coaxial	11'-13'	17 lbs	Coaxial	90"	49 lbs

Hose clamps not included with the Coaxial model.

Note: Packaged in two boxes

Note: Hose not included.





Models 610X & 610XB Hose Retriever (continued)

SPECIFICATION SHEET

Item Number	Post	Hose I.D.	Hose Length	Counter Weight	Max Hose O.D.	Overall Height	Shipping Weight
610XB-0200 AR	A	3/4"	15'-20'	12 lbs	1 1/32"	110"	46 lbs
610XB-0400 AR	A	1"	15'-18'	17 lbs	1 3/8"	110"	51 lbs
610XB-0600 AR	A	Coaxial	13'-15'	17 lbs	Coaxial	110"	51 lbs

Hose clamps not included with the Coaxial model.

Item Number	Coated Post Option	Hose I.D.	Hose Length	Counter Weight	Max Hose O.D.	Overall Height	Shipping Weight
610XB-0200 ARPB	B	3/4"	15'-20'	12 lbs	1 1/32"	110"	46 lbs
610XB-0400 ARPB	B	1"	15'-18'	17 lbs	1 3/8"	110"	51 lbs
610XB-0600 ARPB	B	Coaxial	13'-15'	17 lbs	Coaxial	110"	51 lbs

Hose clamps not included with the Coaxial model.

Note: Packaged in two boxes

Note: Hose not included.

