

# 409 Series

## Agricultural Application Particulate Removing



### 40910PA and 40930PA

Extended Life  
Agricultural Particulate Removal

FOR DISPOSAL INFORMATION PLEASE CONTACT YOUR NEAREST EPA OFFICE.

### Benefits

- PetroClear® models 40910PA and 40930PA are particulate removing spin-on filters designed to remove particulate from gasoline, diesel, Biodiesel, ULSD (Ultra Low Sulfur Diesel), Kerosene and fuel oils.
- The 40910PA and 40930PA are designed to remove particulate from gasoline, Ethanol blended gasoline, diesel, Biodiesel, ULSD (Ultra Low Sulfur Diesel), Kerosene and fuel oils.
- PetroClear® models 40910PA and 40930PA are particulate spin-on filters. These filters are designed for particulate removal only and WILL NOT REACT TO WATER IN NEAT GASOLINE OR DETECT PHASE SEPARATION IN ETHANOL BLENDED GASOLINE.
- PetroClear® model 40910PA filter offers efficient 10 micron (nominal) particulate removal.
- PetroClear® model 40930PA filter offers efficient 30 micron (nominal) particulate removal.
- Compatible with Biodiesel, Kerosene, Fuel Oil, ULSD (Ultra Low Sulfur Diesel), and Diesel fuels and Ethanol blended fuels.

**PetroClear® Filters are NOT to be used in Aviation Fuel Applications!**

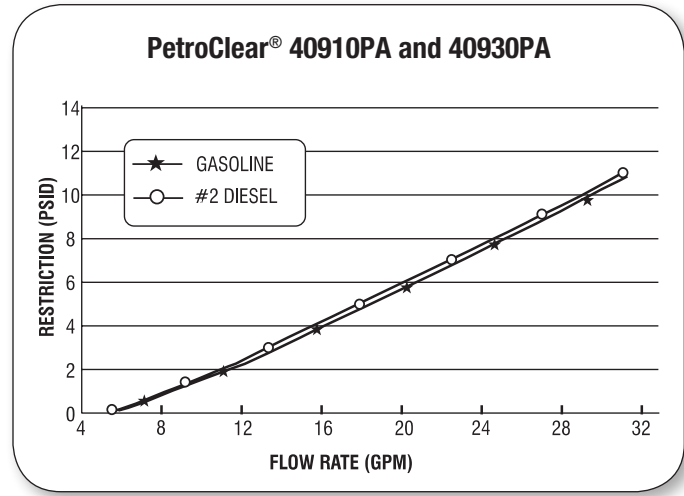
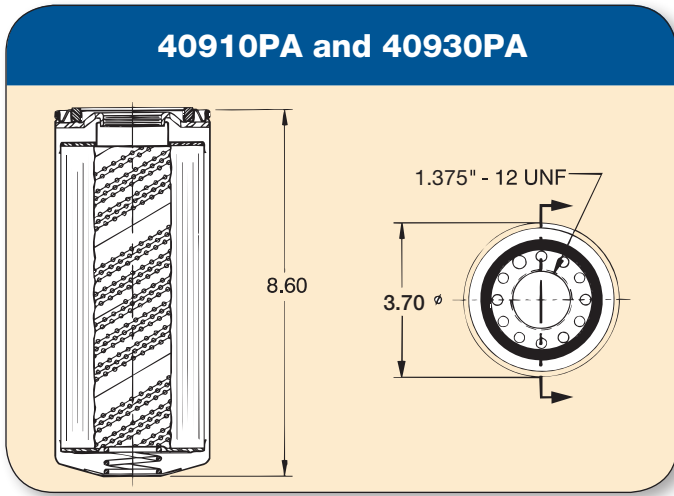
### Specifications

- The PetroClear® model 40910PA utilizes a 10 micron (nominal) cellulose media to remove particulate from gasolines and diesel fuels including Ethanol blended gasoline, Biodiesel and ULSD (Ultra Low Sulfur Diesel). Removes particulate 10 microns (nominal) or larger.
- The PetroClear® model 40930PA utilizes a 30 micron (nominal) cellulose media to remove particulate from gasolines and diesel fuels including Ethanol blended gasoline, Biodiesel and ULSD (Ultra Low Sulfur Diesel). Removes particulate 30 microns (nominal) or larger.
- The maximum flow rate for PetroClear® models 40910PA and 40930PA is 25 gpm (94.6 lpm). Maximum operating pressure is 50 psid (3.4 bar). Collapse pressure is 150 psid (10.3 bar). Maximum operating temperature is 250°F (139°C).
- PetroClear® models 40910PA and 40930PA utilize a standard 1.375"-12 UNF mounting thread ref. (1" flow) required for most spin-on filter adapters used in aftermarket and agricultural applications.
- PetroClear® models 40910PA and 40930PA utilize an epoxy coated interior shell to eliminate oxidation (rusting), which can cause pinhole leaks from the inside of the filter shell.
- Adapters are available for models 40910PA and 40930PA in cast iron. These single adapters are available in 1" NPT inlet/outlet threads.

**NOTE:** If you experience frequent filter changes, it is recommended that you have fuel samples analyzed to determine the source of contamination, such as water, dirt, rust, bacteria, phase separation, etc.

# 40910PA and 40930PA

## Agricultural



Model	40910PA	40930PA
Filter Type	Spin-On	Spin-On
Media Type	*Cellulose	*Cellulose
Micron Rating	10 Micron (nominal)	30 Micron (nominal)
Diameter	3.70"	3.70"
Height	8.60"	8.60"
Mounting Thread	1.375" - 12 UNF	1.375" - 12 UNF
Flow Rate	25 gpm (94.6 lpm)	25 gpm (94.6 lpm)
Flow	1" flow	1" flow
Shell Thickness	0.020	0.020
Gasket Material	Buna N	Buna N
Collapse (Min.)	150 psid (10.3 bar)	150 psid (10.3 bar)
Burst (Min.)	250 psi (17.2 bar)	250 psi (17.2 bar)
Max. Operating Temp.	250°F (139°C)	250°F (139°C)

\*Particulate Removing

### Available Adapters

Part/Model Number	Description
1.00N13/8-12	1" NPT Inlet/Outlet Ports, 1.375" -12 UNF (cast iron)