

# 405 Series

## Particulate Removing for High Concentrations of Ethanol



FOR DISPOSAL INFORMATION PLEASE CONTACT YOUR NEAREST EPA OFFICE.

### Benefits

- PetroClear® model 40510PE is a particulate removing spin-on filter designed to remove particulate in all alcohol and non-alcohol blends of gasoline, all blends of diesel, biodiesel and ULSD (Ultra Low Sulfur Diesel).
- PetroClear® model 40510PE includes a gasket composed of UL-approved Nitrile material that is resistant to the corrosive properties of fuels containing high concentrations of ethanol.
- PetroClear® model 40510PE is a particulate spin-on filter. The filter is designed for particulate removal only and WILL NOT REACT TO WATER IN FUELS OR PHASE SEPARATION IN ETHANOL BLENDED GASOLINES TO SLOW FLOW.
- PetroClear® model 40510PE offers efficient 10 micron (nominal) particulate removal.
- PetroClear® model 40510PE helps prevent the distribution of fuel contaminated by UST corrosion particulate.
- PetroClear® model 40510PE prevents unplanned filter maintenance and unplanned pump downtime caused by deteriorating filter gaskets.
- PetroClear® model 40510PE promotes a safe and compliant fuel site.
- Textured paint coating helps ensure a simple, mess-free installation and removal process.
- UL® recognized

**PetroClear Filters are NOT to be used in Aviation Fuel Applications!**

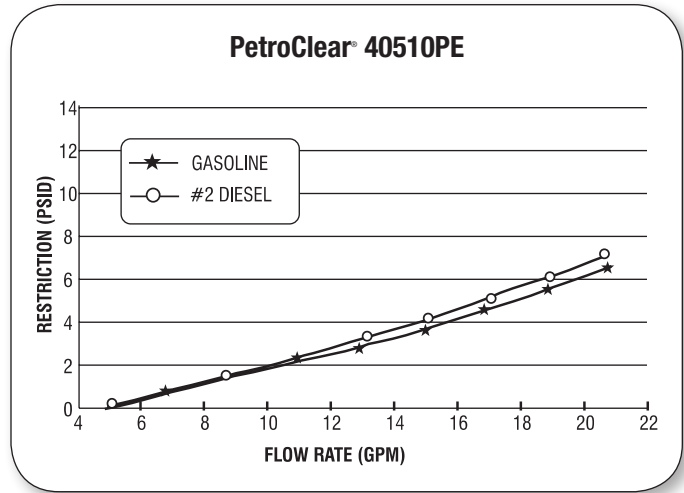
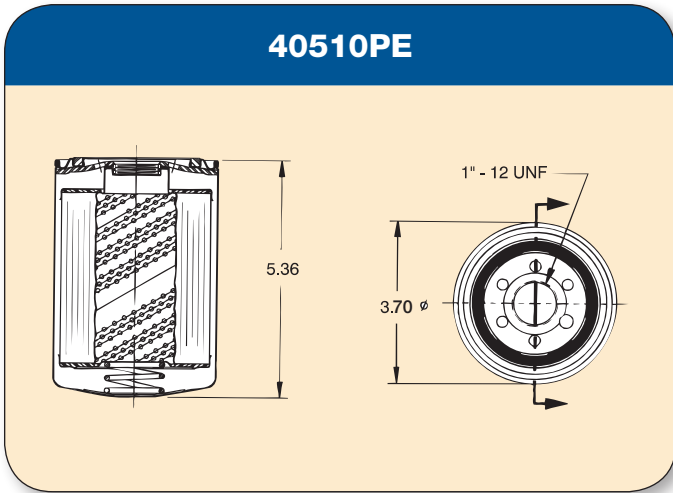
### Specifications

- The PetroClear® model 40510PE utilizes a 10 micron (nominal) cellulose media to remove particulate from gasolines and diesel fuels including all Ethanol blended gasolines, Biodiesel and ULSD (Ultra Low Sulfur Diesel). Removes particulate 10 microns (nominal) or larger.
- The maximum flow rate for PetroClear® model 40510PE is 25 gpm (94.6 lpm). Maximum operating pressure is 50 psid (3.4 bar). Collapse pressure is 150 psid (10.3 bar). Maximum operating temperature is 250°F (139°C).
- PetroClear® model 40510PE utilizes a standard 1"-12 UNF mounting thread ref. (3/4" flow) required for most spin-on filter Adapters used in Gilbarco, Wayne, Bennett, Tokheim and other major manufacturers' dispensers, as well as with Adapters used in the aftermarket.
- Adapters are available for model 40510PE in aluminum and cast iron. These single Adapters are available in 3/4" and 1" NPT or BSP inlet/outlet threads.

**NOTE:** If you experience frequent filter changes, it is recommended that you have fuel samples analyzed to determine the source of contamination, such as water, dirt, rust, bacteria, phase separation, etc.

# 40510PE

## For High Concentrations of Ethanol



Model	40510PE
Filter Type	Spin-On
Media Type	*Cellulose
Micron Rating	10 Micron (nominal)
Diameter	3.70"
Height	5.36"
Mounting Thread	1" - 12 UNF
Flow Rate	25 gpm (94.6 lpm)
Flow	3/4" flow
Shell Thickness	0.020
Gasket Material	Nitrile
Collapse (Min.)	150 psid (10.3 bar)
Burst (Min.)	250 psi (17.2 bar)
Max. Operating Temp.	250°F (139°C)

\*Particulate Removing

Adapters Available	Catalog	Description
	.75 N1-12	3/4" NPT Inlet/Outlet Ports, 1" - 12 UNF (cast iron)
	.75 N1-12A	3/4" NPT Inlet/Outlet Ports, 1" - 12 UNF (aluminum)
	1.0 N1-12	1" NPT Inlet/Outlet Ports, 1" - 12 UNF (cast iron)
	1.0 N1-12A	1" NPT Inlet/Outlet Ports, 1" - 12 UNF (aluminum)
	.75 B1-12	3/4" BSP Inlet/Outlet Ports, 1" - 12 UNF (aluminum)
	1.0 B1-12	1" BSP Inlet/Outlet Ports, 1" - 12 UNF (aluminum)